

DRESSER COUPLINGS

Style 38

IAC

INDUSTRIAL ACCESSORIES COMPANY

Proven by years of service on all kinds of pipe, Style 38 couplings provide flexible, leakproof connections that last the life of the pipe. No costly threading, beveling, exact pipe fitting or alignment is required. The resilient gaskets absorb vibration and pipe movement and permit curves to be laid with straight pipe lengths. Installation is safe and sure. There's no hazard to workmen or delays due to weather. Style 38 couplings are available from 1/2" ID to over 400" OD. NOTE: Commonly used sizes are listed in the tables, but couplings can be furnished for practically any size or special condition.



Sizes and Specifications for Steel Pipe Sizes

Pipe Nominal Size (In)	Outside Pipe Diameter (OD)	Middle Ring Thickness & Length (A&B) ¹	Bolts ² No./Diam. x Length (D&E)	Gaskets ³ Sec. Dim. Thks/Lgth. (F&G)	Overall Dimensions		Working Pressure ⁵ Lbs. per Sq.In.	Max. Test Pressure Lbs. per Sq.In.	Approx. Shipping Ship. (Lbs.)
					Diam. (H)	Length ⁴ (L)			
1/2	.840	.156 x 3-1/2	2-1/2 x 6	9/32 x 9/16	3-1/2	4-3/8	1500	2250	2
3/4	1.050	.156 x 5	2-1/2 x 7-1/4	9/32 x 9/16	3-13/16	5-7/8	1500	2250	3
1	1.315	.148 x 5	2-1/2 x 7-1/4	9/32 x 9/16	4-1/16	5-7/8	1500	2250	4
1-1/4	1.660	.154 x 5	2-1/2 x 7-1/4	9/32 x 9/16	4-7/16	5-7/8	1500	2250	4
1-1/2	1.900	.165 x 5	2-1/2 x 7-1/4	11/32 x 5/8	4-3/4	5-7/8	1500	2250	5
2	*2.375	.156 x 4	2-1/2 x 7-1/4	3/8 x 3/4	5-3/8	5-1/4	-	-	4-1/2
2	2.375	.156 x 5	2-5/8 x 8-1/4	1/2 x 29/32	6	6-5/8	1500	2250	7
2	2.375	.156 x 5	3-5/8 x 8-1/4	1/2 x 29/32	6-1/4	7	1500	2250	10
2	2.375	.156 x 7	3-5/8 x 10-1/4	1/2 x 29/32	6-1/4	9	1500	2250	13
2-1/2	2.875	.180 x 5	3-5/8 x 8-1/4	1/2 x 29/32	7	7	1500	2250	13
3	*3.000	.180 x 4	2-1/2 x 6	3/8 x 7/8	6	5-1/2	-	-	6-1/2
3	*3.500	.156 x 4	3-1/2 x 6	3/8 x 7/8	6-1/2	5-1/4	-	-	7
3	3.500	.156 x 5	4-5/8 x 6	1/2 x 29/32	8	7	1100	1650	13.5
3	3.500	.156 x 7	4-5/8 x 8-1/4	1/2 x 29/32	8	9	1100	1650	17.5
3-1/2	*4.000	.134 x 4	3-1/2 x 6	3/8 x 7/8	7	5-1/4	-	-	7-1/2
3-1/2	4.000	.188 x 5	4-5/8 x 8-1/4	1/2 x 29/32	8-5/8	7	1500	2250	17
4	*4.500	.188 x 4	3-1/2 x 6	3/8 x 7/8	7-1/2	5-1/4	-	-	8
4	4.500	.188 x 5	4-5/8 x 6	1/2 x 29/32	9	7	1000	1500	16.5
4	4.500	.188 x 7	4-5/8 x 8-1/4	1/2 x 29/32	9	9	1000	1500	23.5
5	*5.500	3/4 x 4	4-1/2 x 6	3/8 x 7/8	8-1/2	5-1/4	-	-	10
5	5.500	1/4 x 5	4-5/8 x 8-1/4	1/2 x 29/32	9-5/8	5-1/4	1205	1808	23.5
5	*5.563	3/16 x 4	4-1/2 x 6	3/8 x 7/8	8-1/2	5-1/4	-	-	20
5	5.563	1/4 x 5	4-5/8 x 6	1/2 x 29/32	10-3/8	7	1205	1808	23.5
5	5.563	1/4 x 7	4-5/8 x 8-1/4	1/2 x 29/32	10-3/8	9	1205	1808	25
6	*6.000	.188 x 4	4-1/2 x 6	3/8 x 7/8	10-5/8	5-1/4	-	-	11
6	6.000	1/4 x 5	6-5/8 x 6	1/2 x 1	10-5/8	70	1126	1689	26.5
6	*6.625	3/16 x 4	4-1/2 x 6	3/8 x 7/8	9-5/8	5-1/4	-	-	22.5
6	6.625	1/4 x 5	6-5/8 x 6	1/2 x 1	11-1/4	7	1029	1544	25.5
6	6.625	1/4 x 7	6-5/8 x 8-1/4	1/2 x 1	11-1/4	9	1029	1544	31

* Light Pattern Couplings - Standard pressure rating of 150 psi. See coupling construction at bottom of Page 3.

FOR MORE INFORMATION OR TO PLACE AN ORDER CONTACT IAC TODAY

PB102007

4800 Lamar Avenue / Mission, KS 66202 / USA 800.334.7431

www.iac-intl.com

DRESSER COUPLINGS

Style 38



Sizes and Specifications for Steel Pipe Sizes Cont.

Pipe Nominal Size (In)	Outside Pipe Diameter (OD)	Middle Ring Thickness & Length (A&B) ¹	Bolts ² No./Diam. x Length (D&E)	Gaskets ³ Sec. Dim. Thks/Lgth. (F&G)	Overall Dimensions		Working Pressure Lbs. per Sq.In. ⁵	Max. Test Pressure Lbs. per Sq.In.	Approx. Shipping Weight (Lbs.)
					Diam. (H)	Length (L) ⁴			
8	*8.000	3/4 x 4	5-1/2 x 6	3/8 x 7/8	11	5-1/4	-	-	15
8	8.000	1/4 x 5	6-5/8 x 8-1/4	1/2 x 1	11-7/8	6-7/8	866	1299	31
8	*8.625	3/16 x 4	6-1/2 x 6	3/8 x 7/8	11-5/8	5-1/4	-	-	16
8	8.625	1/4 x 5	6-5/8 x 6	1/2 x 1-1/16	13-1/4	7	807	1211	32
8	8.625	1/4 x 7	6-5/8 x 18-1/4	1/2 x 1-1/16	13-1/4	9	807	1211	38
10	10.000	1/4 x 5	8-5/8 x 8-3/4	1/2 x 1	13-7/8	6-7/8	703	1055	39
10	10.750	1/4 x 5	8-5/8 x 8-1/4	1/2 x 1-1/16	14-5/8	6-7/8	657	986	40
10	10.750	1/4 x 7	8-5/8 x 10-3/4	1/2 x 1-1/16	14-5/8	8-7/8	657	986	49
10	10.750	3/8 x 7	8-5/8 x 10-3/4	1/2 x 1-3/16	14-5/8	8-7/8	813	1200	53
12	12.000	1/4 x 7	8-5/8 x 10-3/4	1/2 x 1	16	8-7/8	591	887	53
12	12.750	1/4 x 5	8-5/8 x 8-1/4	1/2 x 1-1/16	16-3/4	6-7/8	558	837	45
12	12.750	1/4 x 7	8-5/8 x 10-3/4	1/2 x 1-1/16	16-3/4	8-7/8	558	837	56
12	12.750	3/8 x 7	8-5/8 x 10-3/4	1/2 x 1-3/16	16-3/4	6-7/8	691	1036	65
14	14.000	1/4 x 7	8-5/8 x 10-3/4	1/2 x 1-1/16	18	9-1/8	510	765	60
	14.000	3/8 x 7	8-5/8 x 10-3/4	1/2 x 1-3/16	18	9-1/8	633	949	72
16	16.000	1/4 x 7	10-5/8 x 10-3/4	1/2 x 1-1/16	20	9-1/8	449	673	70
	16.000	3/8 x 7	10-5/8 x 10-3/4	1/2 x 1-3/16	20	9-1/8	557	835	82
18	18.000	1/4 x 7	10-5/8 x 10-3/4	1/2 x 1-1/16	22	9-1/8	401	602	75
	18.000	3/8 x 7	10-5/8 x 10-3/4	1/2 x 1-3/16	22	9-1/8	498	747	88
20	20.000	1/4 x 7	12-5/8 x 10-3/4	1/2 x 1-1/16	24-1/16	9-1/8	362	543	86
	20.000	3/8 x 7	12-5/8 x 10-3/4	1/2 x 1-3/16	24-1/16	9-1/8	450	675	90
22	22.000	1/4 x 7	14-5/8 x 10-3/4	1/2 x 1-1/16	26	9-1/8	330	495	98
	22.000	3/8 x 7	14-5/8 x 10-3/4	1/2 x 1-3/16	26	9-1/8	411	616	108
24	24.000	1/4 x 7	14-5/8 x 10-3/4	1/2 x 1-1/16	28	9-1/8	304	456	105
	24.000	3/8 x 7	14-5/8 x 10-3/4	1/2 x 1-3/16	28	9-1/8	378	567	120
30	30.000	1/4 x 7	16-5/8 x 10-3/4	1/2 x 1-1/16	34	9-1/8	243	364	120
	30.000	3/8 x 7	16-5/8 x 10-3/4	1/2 x 1-3/16	34	9-1/8	303	454	153
	30.500	1/4 x 7	16-5/8 x 10-3/4	1/2 x 1-1/16	34-1/2	9-1/8	240	360	125
	30.750	3/8 x 7	16-5/8 x 10-3/4	1/2 x 1-3/16	34-3/4	9-1/8	295	442	158
36	36.000	3/8 x 7	18-5/8 x 10-3/4	1/2 x 1-1/16	40	9-1/8	253	379	181
	36.750	3/8 x 7	18-5/8 x 10-3/4	1/2 x 1-3/16	41-3/4	9-1/2	298	447	227
42	42.000	1/2 x 10	20-5/8 x 15	1/2 x 1-1/16	47	12-1/2	346	519	351
48	48.750	1/2 x 10	22-5/8 x 15	1/2 x 1-3/16	53	12-7/8	304	456	399

* Light Pattern Couplings - Standard pressure rating of 150 psi. See coupling construction at bottom of Page 3.

NOTE: Only couplings for most commonly used steel pipe sizes are shown. Couplings are supplied for ALL SIZES of steel pipe and are regularly available in any special size. Details and prices will be furnished on request for any size of pipe or for any special conditions. Please consult factory.

1- Middle Rings - Thicker or longer than those listed can be furnished. Please specify if pipe stop is required.

2- Bolts - Furnished E-Coated steel as standard.

3- Gasket - Information appears on Page 16.

4- Dimension "L" - Overall length taken with bolts drawn up finger tight.

5- Working Pressure - Pressure ratings are determined on the basis of Barlow's formula using a working stress equal to one half the minimum yield of the middle ring material.

FOR MORE INFORMATION OR TO PLACE AN ORDER CONTACT IAC TODAY

PB10207

4800 Lamar Avenue / Mission, KS 66202 / USA 800.334.7431

www.iac-intl.com

DRESSER COUPLINGS

Style 38

IAC

INDUSTRIAL ACCESSORIES COMPANY

Style 38 Light Pattern Couplings For Light Wall Steel Pipe



4" Style 38 showing 3-bolt construction; supplied also for 3-1/2" O.D. and 4" O.D. sizes



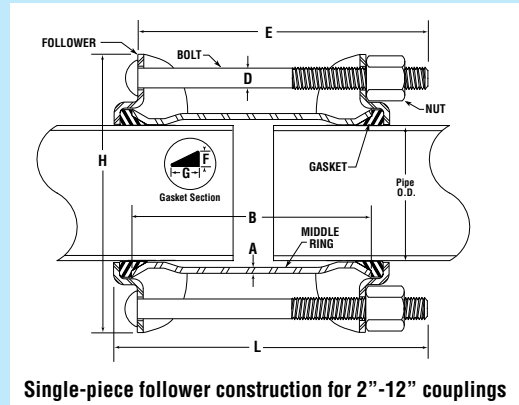
6" Style 38 showing 4-bolt construction supplied for that size. Sizes of 5", 5-1/2", and 6" O.D. (all 4-bolt), 7" and 8" O.D. (5-bolt) are of similar construction.



2" Style 38 showing 2-bolt construction; supplied also for 2" O.D. and 3" O.D. sizes

Materials of Construction

Followers: AISI C1012 or ASME SA36
(Ductile Iron or Malleable Iron for 1/2" thru 1-1/2")
Middle Ring: ASTM A513, ASTM A635 or ASME SA675 GR60
Bolts: AWWA C 111/ANSI A21.11



Single-piece follower construction for 2"-12" couplings

Style 38 Stainless Steel Couplings For severe service conditions!

When you need a coupling for highly corrosive conditions - too corrosive for ordinary carbon steel couplings has its proven Style 38 coupling in an all-stainless steel design. The coupling is available in either Type 304 or Type 316 stainless steel. Followers are available in Type 304 only. You can also specify the middle ring only in stainless or the nuts and bolts only in stainless.



Style 38 stainless steel couplings are furnished with gaskets to match the particular service. Available compounds include Buna S (Grade 27) and Buna N (Grade 42), fluorocarbon (Viton®), butyl and EPDM. There's also a high temperature gasket for applications up to 1200° F. Stainless steel couplings provide flexible, bottle-tight connections with no need for costly threading, beveling, exact pipe fittings or alignment. Installation is so easy, ordinary workmen can make tight joints every time. The only tool needed is a wrench. And since precise pipe fitting is not required, the joints arrive on the job ready-made, saving valuable time.

FOR MORE INFORMATION OR TO PLACE AN ORDER CONTACT IAC TODAY

PB102007

4800 Lamar Avenue / Mission, KS 66202 / USA 800.334.7431

www.iac-intl.com