

AIRLOCKS-ROTARY VALVES

R-Series

Klean Lok



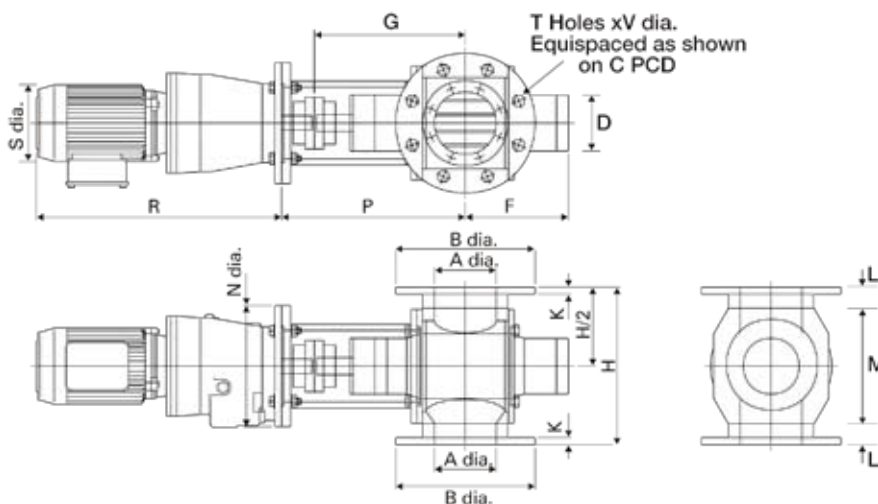
The primary function of Rotary Valves is to regulate the flow of dust, powder and granular products from one chamber to another whilst maintaining a good airlock.

It is popularly used in pneumatic conveying systems, both vacuum and pressure, together with cyclone and filter applications.

However, the Klean Lok is a more specialist valve. Its modular design makes it an easy-clean valve, aimed specifically at the food, chemical and pharmaceutical industries, where cleanliness, both internally and externally, must be to a high standard.

IAC manufactures a complete range of Rotary Valves and in the past, for hygienic applications, the standard range has been used, resulting in large costs being incurred to meet the food standards with regard to polishing etc.

The Klean Lok is, by design, a different concept as it has been styled to ensure that all internal and external surfaces can be fully machined, creating a smooth surface with no lodgement points. This minimises and simplifies polishing and enables the user to clean or wash the valve quickly and easily.



The drive is normally direct coupled, making the complete assembly more compact and eliminating the need for motor mounting plates and bosses, which significantly complicate the external cleaning operation.

PLANNING IN DETAILS
FOR GENERAL GUIDANCE ONLY

All dimensions in inches. Drillings are standard.

Typical G.A. of Klean Lok Valve

FOR MORE INFORMATION OR TO PLACE AN ORDER CONTACT IAC TODAY

PB108006

4800 Lamar Avenue / Mission, KS 66202 / USA 800.334.7431

www.iac-intl.com

AIRLOCKS-ROTARY VALVES

R-Series

Klean Lok



Features

- Machined externals and internals.
- Compact design.
- No lodgement points.
- Quick release.
- Robust body and rotor.
- Outboard bearings for noncontamination.
- Modular design.

	A	B	C	D	F	G	H	K	L	M	N	P	R	S	T	V	CAPACITY CU FT/REV	H.P.	
VALVE SIZE	3	3	7 1/2	6	3 5/8	6	8 1/2	8 1/4	1/2	1 3/8	5 1/2	7 7/8	11 3/4	16 1/2	5	4	3/4	0.02	1/2
	4	4	9	7 1/2	3 5/8	6 3/4	9 5/8	10 1/4	1/2	1 3/8	7 1/2	7 7/8	12	16 1/2	5	8	3/4	0.08	1/2
	6	6	11	9 1/2	3 5/8	7 3/4	10 5/8	12 3/4	1/2	1 3/8	10	7 7/8	13 1/8	16 1/2	5	8	7/8	0.23	1/2
	8	8	13 1/2	11 3/4	3 5/8	8 3/4	11 5/8	15 1/2	1/2	1 3/8	12 3/4	9 7/8	15 3/4	18	6 1/4	8	7/8	0.50	1
	10	10	16	14 1/4	3 5/8	9 3/4	12 3/4	20 1/2	3/4	2	16 1/2	9 7/8	17 3/4	18	6 1/4	12	1	1.00	1

Dimensions in inches unless stated

Dimension subject to change without notice

Range

All Klean Loks are constructed from cast stainless steel with stainless steel rotors, to meet hygiene requirements. Standard range sizes, 4" to 10" diameter, but this will be extended to customer needs

Range is being extended

On Quick Release Models 1 1/2" is to be added to 'G' and 'P' dimensions. Drive arrangement is for our Standard Helical Gear Flange Mounted Unit. Other Mounting Units e.g. Worm Boxes can be accommodated. Ask for certified drawing.

FOR MORE INFORMATION OR TO PLACE AN ORDER CONTACT IAC TODAY

PB108006

4800 Lamar Avenue / Mission, KS 66202 / USA 800.334.7431

www.iac-intl.com

CAPABILITIES

Equipment, Parts & Service

One-Stop Source



Capital Equipment

- Dust Collectors/Baghouses
- Dust Collection Systems
- M-Pulse Baghouse
- Blower Packages
- Pneumatic Conveying Systems
- Silos & Tanks
- Bulk Storage Systems
- Pneumatic Filter Receivers
- Railcar Unload Systems
- Mercury Control
- Air Pollution Control

Industries Served

- Wood Products
- Grain Agriculture
- Food
- Cement
- Ethanol
- Steel
- Foundry
- Mining
- Bio Fuels
- Petro Chemical
- Plastics
- Coal
- Power Generation
- Pulp & Paper

Capabilities

- Design Layout - Auto Cad 2007, 3-D Solid Works & Inventor
- Structural Steel Fabrication
- Design Build Projects
- Mechanical Contracting
- Mercury Control Testing
- Equipped Service Trucks



Services, Construction & Maintenance

- Contract Fabrication
- Consulting Services
- Equipment
 - Installation
 - Relocation
 - Repair
- Baghouse Rebagging
- Baghouse Conversions
- Turn-Key Installation
- System Inspections

After Market Parts & Equipment

- Blowers
- Airlocks
- Diverter Valves
- Hose
- Bags
- Cages
- Tubing
- Couplings
- Elbows
- Sonic Horns
- Knife Gates
- Butterfly Valves
- Baghouse Accessories
- Level Indicators
- Bin Activators
- Convey Line Accessories
- Intake Filters
- Fans
- Abrasion Resistant Products



COMPETITIVE PRICING
RUSH DELIVERY:
BLOWER PACKAGES &
BIN VENTS

MANY ITEMS IN STOCK
RUSH SHIPPING

**VISIT US ON THE WEB FOR
COMPLETE DETAILS!**

INNOVATION. SERVICE. PRODUCT EXCELLENCE.

Industrial Accessories Company

PBMRKT

4800 Lamar Avenue / Mission, KS 66202 / USA
913.384.5511 / toll free 800.334.7431 / fax 913.384.6577

www.iac-intl.com