

ROTARY AIRLOCK VALVES

M-Series

Blow-Thru Round Flange



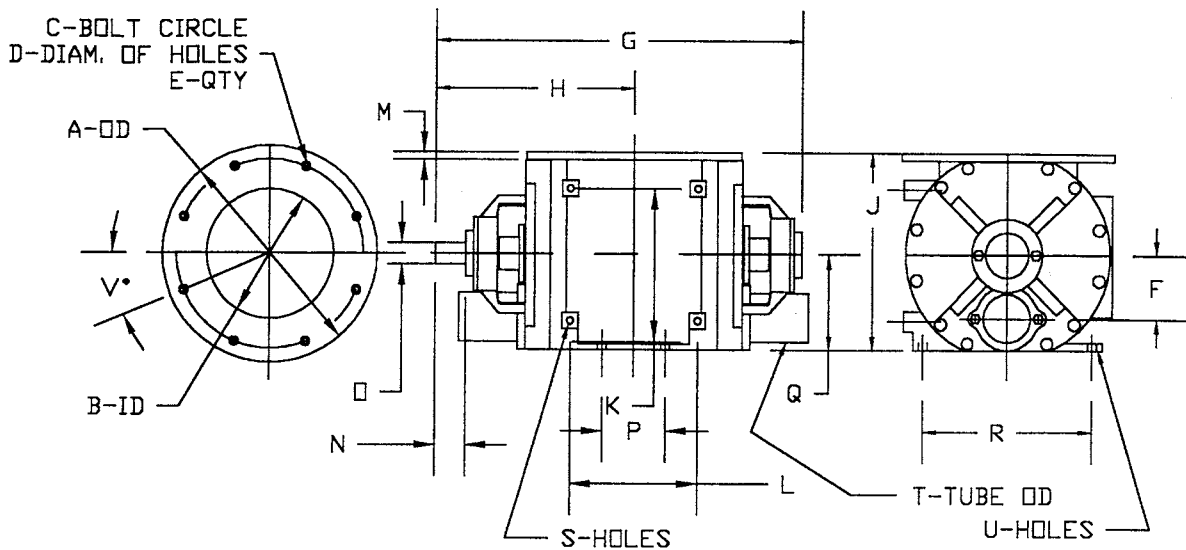
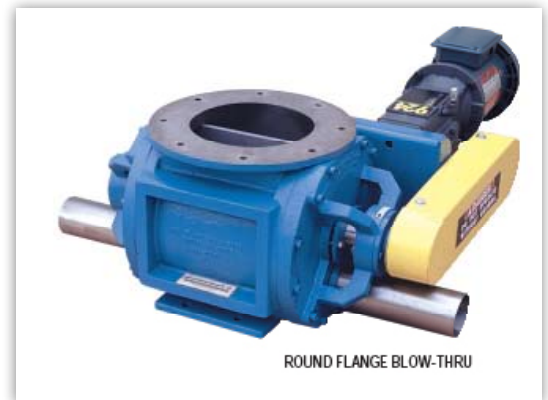
The Blow-Thru Rotary Airlock Feeder is ideal for Pneumatic Conveying applications in food, grain, chemical, milling, baking, plastics and pharmaceutical industries.

The Blow-Thru airlocks feature a low profile, larger capacity than competition. Pressure differentials to 20 PSI, integral mounting feet, and retrofit competitive units. Blow-Thru valves are available with square or round flanges; cast iron housing, stainless steel construction optional; mild steel 8-vane open-end rotor; outboard bearings; replaceable shaft seals and large shaft diameters.

Features

- Cast iron housing, round and square flange, stainless steel construction optional
- Mild steel 8-vane open end rotor
- Outboard bearings
- Replaceable shaft seals
- Largest shaft diameters

Round	CFR
11x10	0.47
13x12	0.8
16x15	1.51



Dimensions (In Inches)
ROUND FLANGE BLOW-THRU FEEDERS

SIZE	CFR.	LINE*	A	B	C	D	E	F	G	H	J	K	L	M	N	O	P	Q	R	S	T	U	DEG V
11x10	.47	3"	13.50	8.00	11.75	1/2-13	8	3.875	23.03	12.47	12.250	8.13	8.00	0.50	1.91	1.250	4.00	5.875	10.75	1/2-13	3.00	0.56	22.5
13x12	.80	4"	16.00	10.00	14.25	5/8-11	12	4.375	28.16	15.13	14.500	10.50	9.75	0.50	2.09	1.500	5.00	7.000	14.00	1/2-13	4.00	0.56	15
16x15	1.51	5"	CF	CF	CF	CF	CF	CF	CF	CF	17.63	CF	CF	0.50	CF	1.750	CF	8.000	CF	CF	5.00	CF	CF

* ID Port Size CF = Consult Factory

ROTARY AIRLOCK VALVES

M-Series

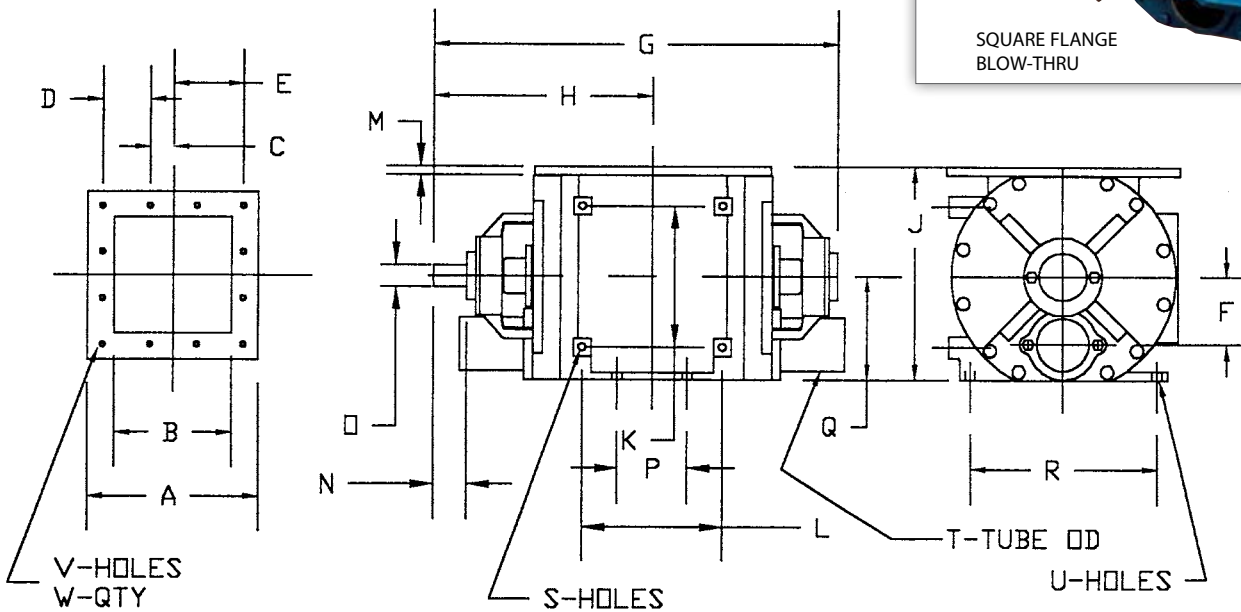
Blow-Thru Square Flange



Benefits

- Low profile
- Larger capacity than competition
- 20 PSI pressure differentials
- Integral mounting feet
- Retrofit competitive units

Square	CFR
11x10	0.47
13x12	0.8
16x15	1.51



Dimensions (In Inches)

SQUARE FLANGE BLOW-THRU FEEDERS

SIZE	CFR.	LINE*	A	B	C	D	E	F	G	H	J	K	L	M	N	O	P	Q	R	S	T	U	V	W
11x10	.47	3"	11.00	8.00	2.5	—	4.88	3.875	23.03	12.47	12.250	8.13	8.00	0.50	1.91	1.250	4.00	5.875	10.75	1/2-13	3.00	0.56	1/2-13	8
13x12	.80	4"	14.50	10.00	2	4	6	4.375	28.16	15.13	14.500	10.50	9.75	0.50	2.09	1.500	5.00	7.000	14.00	1/2-13	4.00	0.56	1/2-13	12
16x15	1.51	5"	CF	CF	CF	CF	CF	CF	CF	CF	CF	CF	CF	CF	CF	CF	CF	CF	CF	CF	CF	CF	CF	CF

* ID Port Size CF = Consult Factory

Your ONE Stop Source

- Turn-Key Pneumatic Convey & Bulk Storage System
- Bulk bag Unloader
- Loss - in - Weight Feeder
- Blow - thru Adapters
- Carbon Steel, Aluminum, Stainless Steel Convey Tube Pipe, Elbows and Couplings
- Convey line Accessories
- Hoppers and Work Bins
- PD Blower Packages

FOR MORE INFORMATION OR TO PLACE AN ORDER CONTACT IAC TODAY

PB108012

4800 Lamar Avenue / Mission, KS 66202 / USA 800.334.7431

www.iac-intl.com