

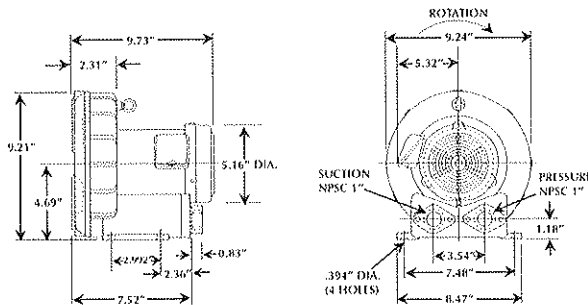
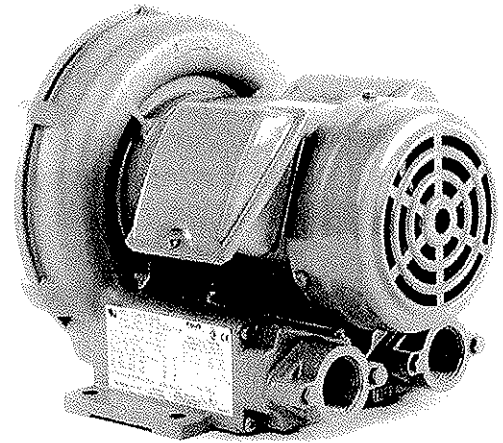
# REGENERATIVE BLOWERS

## Ring Compressor

### VFC20



The VFC20 is a single-stage ring compressor with a maximum pressure of 37 in. H<sub>2</sub>O, a maximum vacuum of 34 in. H<sub>2</sub>O, and a maximum capacity of 42 SCFM. It comes complete with a direct-drive, 1/3 horsepower, TEFC motor capable of operating on a wide range of voltages, and on 50 or 60 Hz. A pilot-duty thermal protector is standard equipment on all 3 phase models, and built-in automatic reset thermal protectors on 1-phase units. All versions have NEMA class B insulation, are UL recognized, CSA certified and CE.



### Specifications

1 Phase		Voltage	Amps (max. rated)	Amps (locked rotor)	Max. Pressure	Max. Vacuum	Max. Airflow	Min. Airflow	Max. Temp Rise	Weight
Model	HZ	Low Voltage/High Voltage			in H <sub>2</sub> O	in H <sub>2</sub> O	SCFM	SCFM	°F (°C)	lbs. (kg)
VFC200P-5T	60	115/230	3.6/1.8	11/5.5	34	33	42	3.5	72(40)	22(10)
	50	110/220	3.0/1.5	10/5	26	25	35	3.5	65(35)	22(10)
3 Phase										
VFC200A-7W	60	200-240/400-480	1.2-1.2/0.6-0.6	5.2-6.0/2.6-3.0	37	34	42	3.5	72(40)	22(10)
	50	190-230/380-460	1.0-1.1/0.5-0.55	5.8-6.6/2.9-3.3	26	25	35	3.5	65(35)	22(10)

### Accessories

Description	Vacuum Relief Valve	Pressure Relief Valve	Inlet Filter	Inlet Filter Cover	Inlet Filter/Receiver	Exhaust Silencer/Muffler
Model No.	Not Req'd	Not Req'd	F-123	C-123	R15P	VFY-021A

Note: Maximum allowable time at deadhead is 240 seconds.

FOR MORE INFORMATION OR TO PLACE AN ORDER CONTACT IAC TODAY

PB109034

4800 Lamar Avenue / Mission, KS 66202 / USA 800.334.7431

www.iac-intl.com

# CAPABILITIES

## Equipment, Parts & Service

### One-Stop Source



### Capital Equipment

- Dust Collectors/Baghouses
- Dust Collection Systems
- M-Pulse Baghouse
- Blower Packages
- Pneumatic Conveying Systems
- Silos & Tanks
- Bulk Storage Systems
- Pneumatic Filter Receivers
- Railcar Unload Systems
- Mercury Control
- Air Pollution Control

### Industries Served

- Wood Products
- Grain Agriculture
- Food
- Cement
- Ethanol
- Steel
- Foundry
- Mining
- Bio Fuels
- Petro Chemical
- Plastics
- Coal
- Power Generation
- Pulp & Paper

### Capabilities

- Design Layout - Auto Cad 2007, 3-D Solid Works & Inventor
- Structural Steel Fabrication
- Design Build Projects
- Mechanical Contracting
- Mercury Control Testing
- Equipped Service Trucks



### Services, Construction & Maintenance

- Contract Fabrication
- Consulting Services
- Equipment
  - Installation
  - Relocation
  - Repair
- Baghouse Rebagging
- Baghouse Conversions
- Turn-Key Installation
- System Inspections

### After Market Parts & Equipment

- Blowers
- Airlocks
- Diverter Valves
- Hose
- Bags
- Cages
- Tubing
- Couplings
- Elbows
- Sonic Horns
- Knife Gates
- Butterfly Valves
- Baghouse Accessories
- Level Indicators
- Bin Activators
- Convey Line Accessories
- Intake Filters
- Fans
- Abrasion Resistant Products



COMPETITIVE PRICING  
RUSH DELIVERY:  
BLOWER PACKAGES &  
BIN VENTS

MANY ITEMS IN STOCK  
RUSH SHIPPING

**VISIT US ON THE WEB FOR  
COMPLETE DETAILS!**

INNOVATION. SERVICE. PRODUCT EXCELLENCE.

Industrial Accessories Company

PBMRKT

4800 Lamar Avenue / Mission, KS 66202 / USA  
913.384.5511 / toll free 800.334.7431 / fax 913.384.6577

[www.iac-intl.com](http://www.iac-intl.com)