

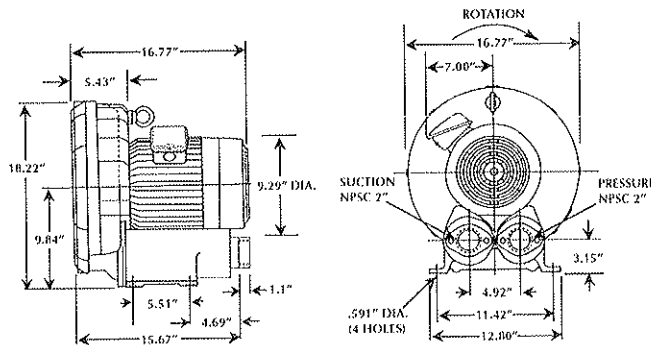
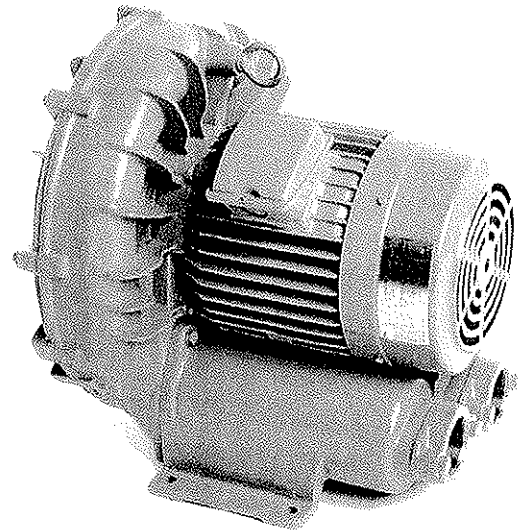
REGENERATIVE BLOWERS

Ring Compressor

VFC70



The VFC70 is a single-stage ring compressor with a maximum pressure of 114 in. H₂O, a maximum vacuum of 96 in. H₂O, and a maximum capacity of 267 SCFM. It comes complete with a direct-drive, 7 horsepower, TEFC motor capable of operating on a wide range of voltages, and on 50 or 60 Hz. A pilot-duty thermal protector is standard equipment on all 3 phase models. All versions have NEMA class F insulation, are UL recognized, CSA certified and CE. 575 volt units are CSA certified only.



Specifications

3 Phase		Voltage	Amps (max. rated)	Amps (locked rotor)	Max. Pressure	Max. Vacuum	Max. Airflow	Min. Airflow	Max. Temp Rise	Weight
Model	HZ	Low Voltage/High Voltage			in H ₂ O	in H ₂ O	SCFM	SCFM	°F (°C)	lbs. (kg)
VFC700A-7W	60	200-240/400-480	15.6-16 / 7.8-8.0	110-115/50-58	114	96	267	88	137(75)	180(82)
	50	190-230/980-460	13-14/6.5-7.0	104-128/52-64	81	71	220	63	108(60)	180(82)
VFC700A	60	575	6.7	35	114	96	267	88	137(75)	180(82)

Accessories

Description	Vacuum Relief Valve	Pressure Relief Valve	Inlet Filter	Inlet Filter Cover	Exhaust Silencer/Muffler
Model No.	VV7	PV7	F-67	C-67	VFY-026A

Note: Maximum allowable time at deadhead is 30 seconds.

FOR MORE INFORMATION OR TO PLACE AN ORDER CONTACT IAC TODAY

PB109039

4800 Lamar Avenue / Mission, KS 66202 / USA 800.334.7431

www.iac-intl.com

CAPABILITIES

Equipment, Parts & Service

One-Stop Source



Capital Equipment

- Dust Collectors/Baghouses
- Dust Collection Systems
- M-Pulse Baghouse
- Blower Packages
- Pneumatic Conveying Systems
- Silos & Tanks
- Bulk Storage Systems
- Pneumatic Filter Receivers
- Railcar Unload Systems
- Mercury Control
- Air Pollution Control

Industries Served

- Wood Products
- Grain Agriculture
- Food
- Cement
- Ethanol
- Steel
- Foundry
- Mining
- Bio Fuels
- Petro Chemical
- Plastics
- Coal
- Power Generation
- Pulp & Paper

Capabilities

- Design Layout - Auto Cad 2007, 3-D Solid Works & Inventor
- Structural Steel Fabrication
- Design Build Projects
- Mechanical Contracting
- Mercury Control Testing
- Equipped Service Trucks



Services, Construction & Maintenance

- Contract Fabrication
- Consulting Services
- Equipment
 - Installation
 - Relocation
 - Repair
- Baghouse Rebagging
- Baghouse Conversions
- Turn-Key Installation
- System Inspections

After Market Parts & Equipment

- Blowers
- Airlocks
- Diverter Valves
- Hose
- Bags
- Cages
- Tubing
- Couplings
- Elbows
- Sonic Horns
- Knife Gates
- Butterfly Valves
- Baghouse Accessories
- Level Indicators
- Bin Activators
- Convey Line Accessories
- Intake Filters
- Fans
- Abrasion Resistant Products



COMPETITIVE PRICING
RUSH DELIVERY:
BLOWER PACKAGES &
BIN VENTS

MANY ITEMS IN STOCK
RUSH SHIPPING

**VISIT US ON THE WEB FOR
COMPLETE DETAILS!**

INNOVATION. SERVICE. PRODUCT EXCELLENCE.

Industrial Accessories Company

PBMRKT

4800 Lamar Avenue / Mission, KS 66202 / USA
913.384.5511 / toll free 800.334.7431 / fax 913.384.6577

www.iac-intl.com