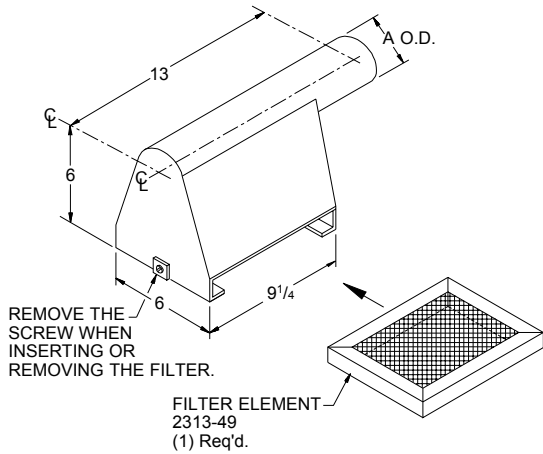


AIR INTAKE SCREEN ASSEMBLY

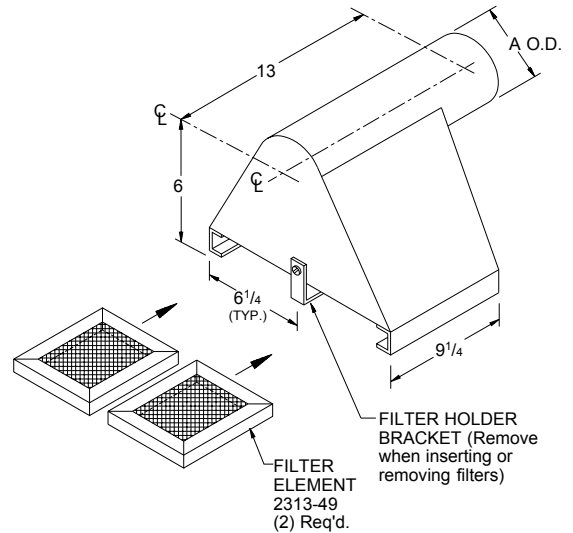
IAC

INDUSTRIAL ACCESSORIES COMPANY

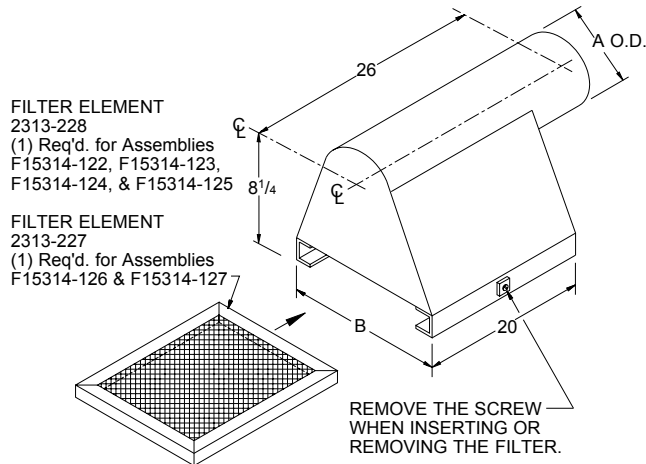
- Designed for vacuum systems.
- Rustproof aluminum construction with a replaceable, washable aluminum mesh filter element.
- Filter element is cleaned by flushing with hot water or steam.



Part No.	Dimension A
F15314-117	2" O.D. Tube
F15314-118	2 1/2" O.D. Tube
F15314-119	2" Sch. 10 Pipe (2 3/8" O.D.)



Part No.	Dimension A
F15314-120	3" O.D. Tube
F15314-121	3" Sch. 10 Pipe (3 1/2" O.D.)



Part No.	Dimension A	Dim. B
F15314-122	4" O.D. Tube	9 7/8
F15314-123	4" Sch. 10 Pipe (4 1/2" O.D.)	9 7/8
F15314-124	5" O.D. Tube	9 7/8
F15314-125	5" Sch. 10 Pipe (5 9/16" O.D.)	9 7/8
F15314-126	6" O.D. Tube	15 7/8
F15314-127	6" Sch. 10 Pipe (6 5/8" O.D.)	15 7/8

All dimensions are in inches

IAC is your ONE STOP Supply!

- Baghouse Inspections
- APC System Troubleshooting & problem solving
- Fans
- Airlocks
- Bag Change - out, Installation & Service
- New Baghouse Equipment - 4 week turnaround
- Leak Detection
- Broken Bag Detectors

FOR MORE INFORMATION OR TO PLACE AN ORDER CONTACT IAC TODAY

PB135037

4800 Lamar Avenue / Mission, KS 66202 / USA 800.334.7431

www.iac-intl.com