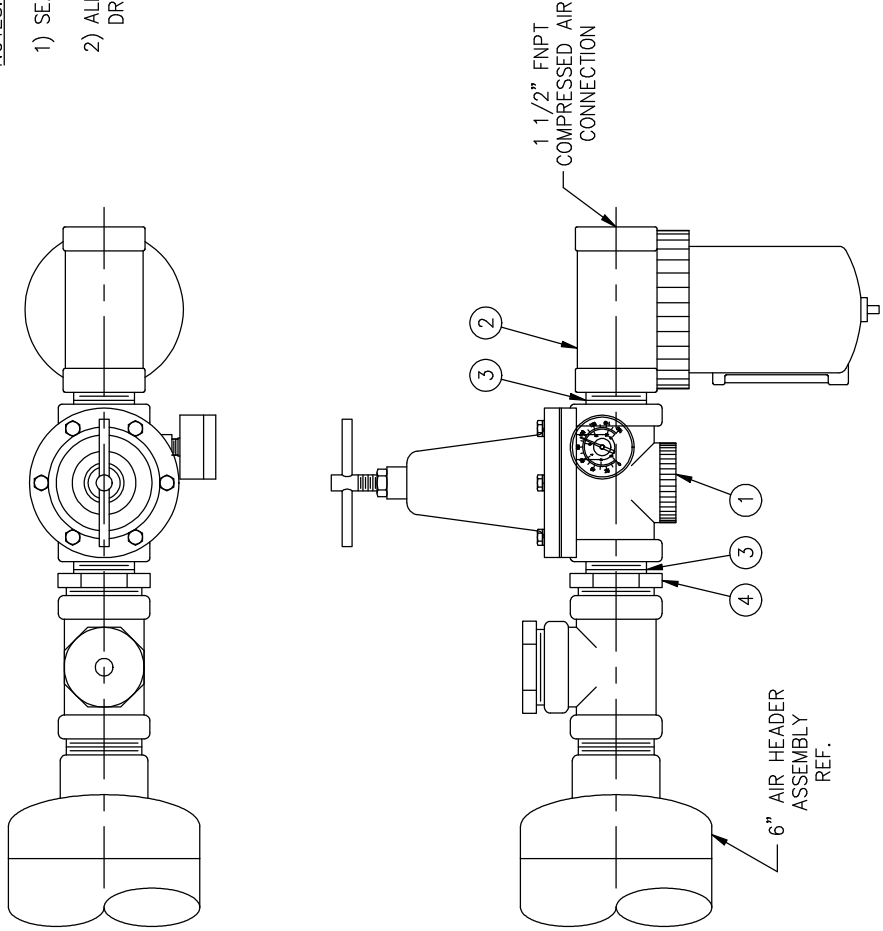


ITEM	QTY	DESCRIPTION	PART No.	SUP'R
1	1	AIR REGULATOR WITH GAUGE, 1 1/2" FNPT, WATTS R119-12CG	135-0053	IAC
2	1	AIR FILTER WITH AUTO DRAIN, 1 1/2" FNPT, WATTS F602-12WJR	135-0052	IAC
3	2	CLOSE NIPPLE, 1 1/2" NPT, CARBON STEEL	N/A	IAC
4	1	HEX BUSHING, 2" MNPT x 1 1/2" FNPT, CARBON STEEL	N/A	IAC

NOTES:

- 1) SEAL ALL THREADED CONNECTIONS WITH TEFLON TAPE.
- 2) ALL ITEMS TO BE SHIPPED LOOSE UNLESS NOTED OTHERWISE ON GENERAL ARRANGEMENT DRAWING OR OTHER PROJECT DOCUMENTATION.



No.	By	Date	Description of Revision
1	BSE	9/26/2011	Corrected parts as drawn, corrected part numbers and descriptions in bill of materials.

		Industrial Accessories Company 4800 LAMAR MISSION, KANSAS 66202 (913) 384-5511 fax (913) 384-6577	
CUSTOMER	IAC STANDARD DRAWING	DATE	08/03/98
CUSTOMER P.O.	QTY.	PART NO.	140-0012
DESCRIPTION	1 1/2" AIR FILTER w/ REGULATOR (6" AIR HEADER)	CHK'D.	APPT'D.
DRAWING NO.	140-0012	DRAWING NO.	140-0012
SCALE	3"	REV.	1
		SHT. 1 OF 1	

This material is the property of INDUSTRIAL ACCESSORIES COMPANY and should not be reproduced, published or disclosed to others without authorization. The material shall not be used in any way against or detrimental to INDUSTRIAL ACCESSORIES COMPANY, Mission, Kansas.