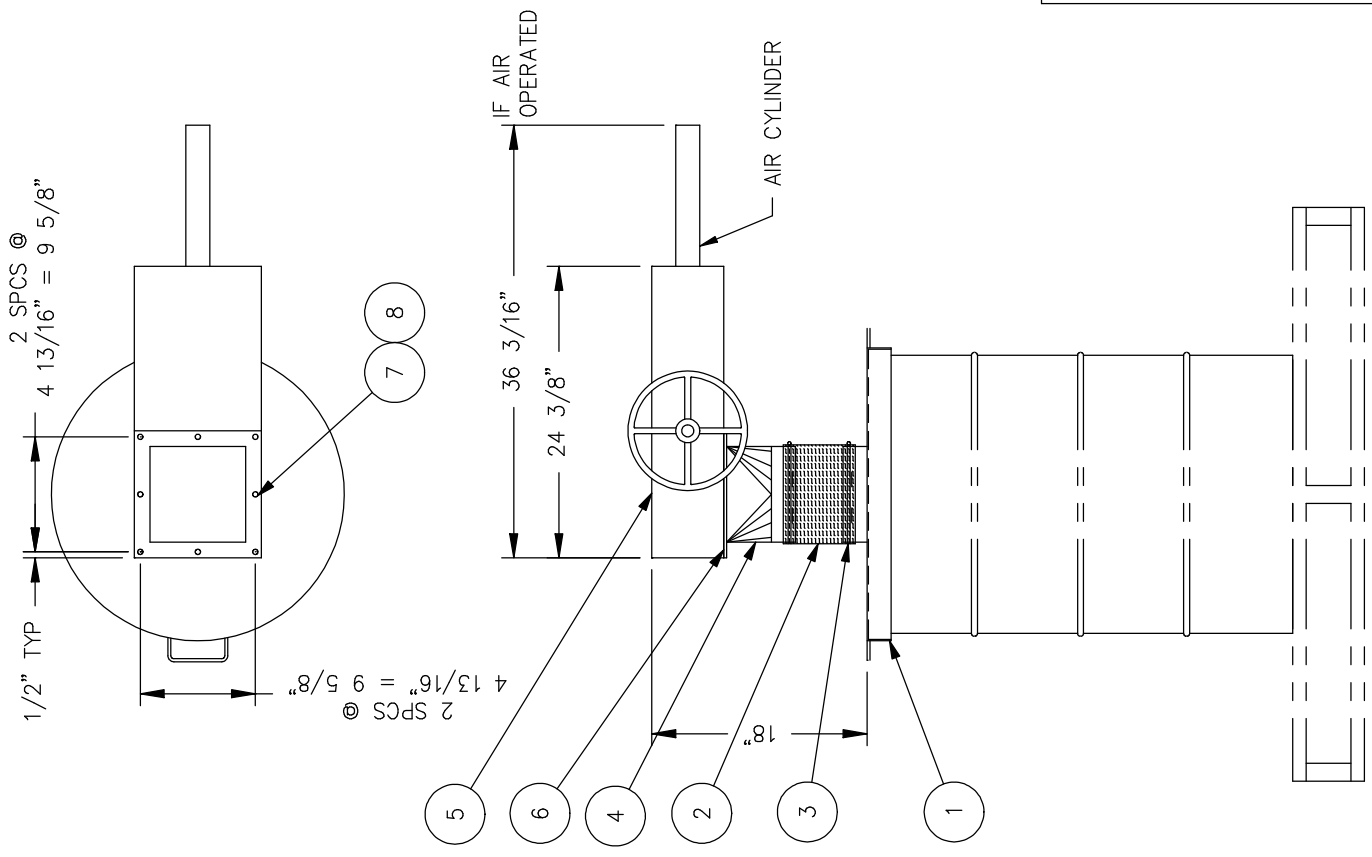



ITEM	PART NO.	DESCRIPTION	QTY
1	504-0025	8" BARREL LID ADAPTOR	1
2	IAC	FLEX SLEEVE	1
3	IAC	BAND CLAMPS	2
4	504-0042	FLANGED TRANSITION 8" SQ (CMF) TO 8" O.D.	1
5	CMF-8	8" SLIDE GATE	1
6	133-0034	GASKET, 8" SQ, BLACK NEOPRENE	2
7	IAC	HHB 3/8-16 x 1 1/4" LG	16
8	IAC	NYLOCK NUT, 3/8-16	16

GENERAL NOTES:

- MATERIALS OF CONSTRUCTION:**
 BARREL LID - 12 GA H.R.S.
 HANDLE - 1/4" BAR H.R.S.
 TRANSITION - 12 GA. H.R.S.
 FLANGE - 1/4" H.R.S.
 - MATERIAL PREP - - -**
 POWER TOOL CLEAN (SSPC-SP3) & SOLVENT WIPE (SSPC-SP1)
 OTHER _____
 - FINISH SCHEDULE - - -**
 INTERIOR - PLAIN
 OTHER: _____
- EXTERIOR - PRIMER: ENAMEL PRIMER (B50WZ1)
 EPOXY PRIMER (B60V70/B62N71)
 OTHER: _____
- FINISH PAINTED: BLUE ENAMEL (B54T104)
 WHITE ENAMEL (B54W101)
 WHITE EPOXY (B60V70/B62W101)
 OTHER: _____





Industrial Accessories Company
 4800 LAMAR
 MISSION, KANSAS 66203
 (913) 384-5511 fax (913) 384-6577

CUSTOMER	IAC STANDARD DRAWING OVERLAND PARK, KS	DATE	08/07/98	SCALE	3/4"
PART NO.	504-0079	DATE	08/07/98	SCALE	3/4"
JOB NO.	504-0079	DATE	08/07/98	SCALE	3/4"
QTY.	1	DATE	08/07/98	SCALE	3/4"
DESCRIPTION	BARREL KIT MODEL: 8" SQ (CMF) TO 8" O.D.				
DRAWING NO.	504-0079				
REV.	SHT. 1 OF 1				

This material is the property of INDUSTRIAL ACCESSORIES COMPANY and should not be reproduced, published or disclosed to others without authorization. The material shall not be used in any way against or detrimental to INDUSTRIAL ACCESSORIES COMPANY, Mission, Kansas.