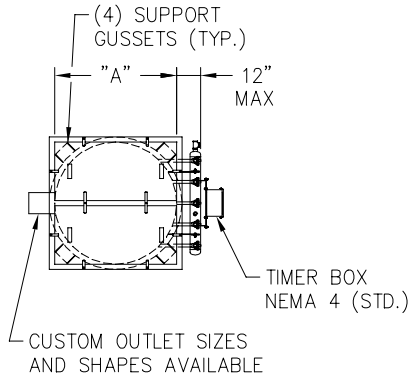


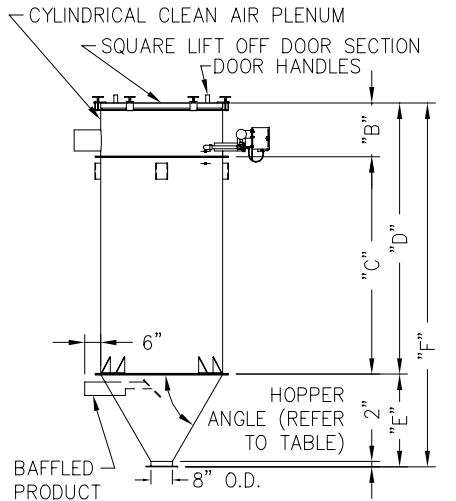
MODEL SHOWN: 72TB-FRT-21:S6



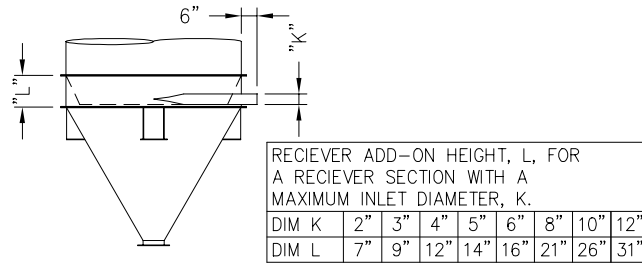
Help **note** FILTER RECEIVER – LIFT OFF DOOR, TOP LOAD PULSE JET – TUBULAR BAG – STYLE III

MODEL:	FILTER LENGTH (IN.)	FILTER AREA (SQ.FT.)	NOMINAL DIMENSIONS (IN.)										NO. OF VALVES	*TYPE II EST'D SHIP WT. (LB.)	*TYPE III EST'D SHIP WT. (LB.)
			A (DIA.)	B (STYLE I)	C	D (STYLE II)	HOPPER ANGLE=45°		HOPPER ANGLE=60°		HOPPER ANGLE=70°				
							E	F (STYLE III)	E	F (STYLE III)	E	F (STYLE III)			
36TB-FRT-7:S6	36"	34	28"	20"	42"	62"	12"	74"	20"	82"	30"	92"	3	525	665
54TB-FRT-7:S6	54"	51	28"	20"	60"	80"	12"	92"	20"	100"	30"	110"	3	615	745
72TB-FRT-7:S6	72"	68	28"	20"	78"	98"	12"	110"	20"	118"	30"	128"	3	705	915
84TB-FRT-7:S6	84"	80	28"	20"	90"	110"	12"	122"	20"	130"	30"	140"	3	855	995
96TB-FRT-7:S6	96"	91	28"	20"	102"	122"	12"	134"	20"	142"	30"	148"	3	945	1075
36TB-FRT-14:S6	36"	68	40"	20"	42"	62"	18"	80"	30"	92"	46"	108"	4	760	1050
54TB-FRT-14:S6	54"	102	40"	20"	60"	80"	18"	98"	30"	110"	46"	126"	4	930	1230
72TB-FRT-14:S6	72"	136	40"	20"	78"	98"	18"	116"	30"	128"	46"	144"	4	1110	1400
84TB-FRT-14:S6	84"	159	40"	20"	90"	110"	18"	128"	30"	140"	46"	156"	4	1230	1520
96TB-FRT-14:S6	96"	182	40"	20"	102"	122"	18"	140"	30"	152"	46"	168"	4	1340	1640
54TB-FRT-21:S6	54"	153	46"	20"	60"	80"	21"	101"	35"	115"	54"	134"	5	1005	1405
72TB-FRT-21:S6	72"	205	46"	20"	78"	98"	21"	119"	35"	133"	54"	152"	5	1275	1675
96TB-FRT-21:S6	96"	273	46"	20"	102"	122"	21"	143"	35"	157"	54"	176"	5	1555	1945
108TB-FRT-21:S6	108"	307	46"	20"	114"	134"	21"	155"	35"	169"	54"	188"	5	1685	2075
120TB-FRT-21:S6	120"	341	46"	20"	126"	146"	21"	167"	35"	181"	54"	200"	5	1815	2215

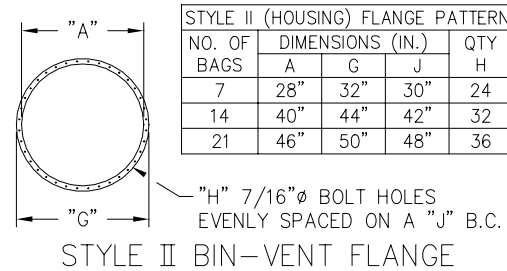
NOTE: "S6" DENOTES IAC'S 60 SERIES – 6.25" DIAMETER BAG FILTER DESIGN.; 4.5" DIAMETER FILTER DESIGNS ARE AVAILABLE. * C.S. CONSTRUCTION 60' CONE



BAFFLED PRODUCT INLET. NOTE: TANGENTIAL INLET WITH PNEUMATIC RECEIVER SECTION AVAILABLE UPON REQUEST. REFER TO TABLE ABOVE. (TANGENTIAL INLET)



TANGENTIAL INLET w/INTERIOR CONE



INTERSTITIAL AREA BASED ON A BAG CROSS SECTIONAL AREA OF 0.21 SQ.FT.		
NO. OF BAGS	HOUSING I.D. (IN.)	INTERSTITIAL AREA (SQ. FT.)
7	27 3/4"	2.73
14	39 3/4"	5.68
21	45 3/4"	7.00

MATERIALS OF CONSTRUCTION

- FILTER RECEIVERS AVAILABLE IN:
- CARBON STEEL
 - STAINLESS STEEL
 - ALUMINUM

STANDARD STRUCTURAL RATINGS

- PRESSURE RATING: 100" W.C.
- VACUUM RATING: 7" Hg (-100" W.C.)

OTHER FILTER STYLES

FILTER MEDIA AVAILABLE IN:

- PAPER CARTRIDGES
- SPUN BOND PLEATED ELEMENTS

This material is the property of INDUSTRIAL ACCESSORIES COMPANY and should not be reproduced, published or disclosed to others without authorization. The material shall not be used in any way against or detrimental to INDUSTRIAL ACCESSORIES COMPANY, Mission, Kansas.

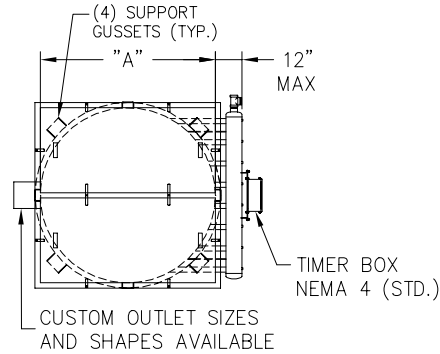


Industrial Accessories Company

4800 LAMAR
MISSION, KS 66202
(913) 384-5511 fax (913) 384-6577

PROJECT	DATE SENT	LAST REV'D
FILTER INFORMATION TABLE TOP DOOR		11/11/02
DESCRIPTION	PART NO.	PROPOSAL NO.
FILTER RECEIVER: TOP REMOVAL, 60 SERIES SIZES: 7 TO 21 BAGS MODEL: TOP LIFT OFF DOORS		
DRAWING NO.	CD322-01	

MODEL SHOWN: 120TB-FRT-36:S6

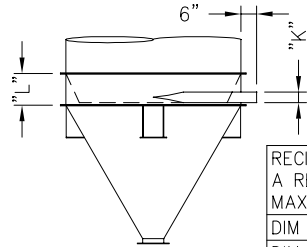
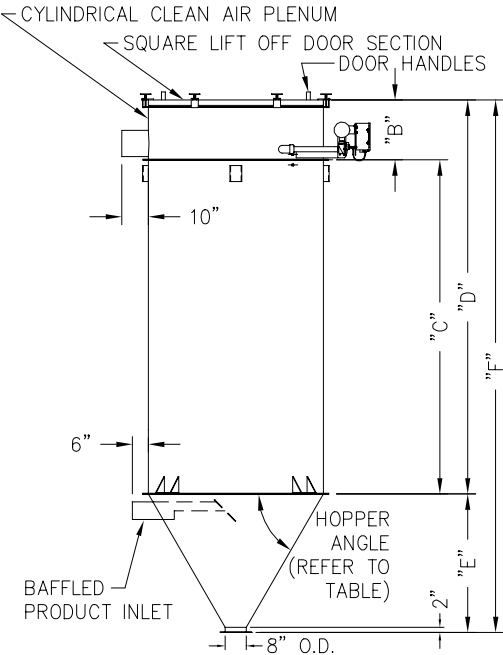


Help note FILTER RECEIVER – LIFT OFF DOOR, TOP LOAD PULSE JET – TUBULAR BAG – STYLE III

MODEL:	FILTER LENGTH (IN.)	FILTER AREA (SQ.FT.)	NOMINAL DIMENSIONS (IN.)						HOPPER ANGLE=45°		HOPPER ANGLE=60°		HOPPER ANGLE=70°		NO. OF VALVES	*TYPE II EST'D SHIP WT. (LB.)	*TYPE III EST'D SHIP WT. (LB.)
			A (DIA.)	B (STYLE I)	C	D (STYLE II)	E	F (STYLE III)	E	F (STYLE III)	E	F (STYLE III)					
54TB-FRT-32:S6	54"	234	60"	20"	60"	80"	28"	108"	47"	127"	74"	154"	6	1070	1790		
72TB-FRT-32:S6	72"	312	60"	20"	78"	98"	28"	126"	47"	145"	74"	172"	6	1330	2020		
96TB-FRT-32:S6	96"	416	60"	20"	102"	122"	28"	150"	47"	169"	74"	196"	6	1690	2380		
120TB-FRT-32:S6	120"	519	60"	20"	126"	146"	28"	174"	47"	193"	74"	220"	6	2040	2730		
132TB-FRT-32:S6	132"	571	60"	20"	138"	158"	28"	186"	47"	205"	74"	232"	6	2210	2910		
72TB-FRT-36:S6	72"	351	66"	20"	78"	98"	31"	129"	52"	150"	82"	180"	8	1460	2310		
96TB-FRT-36:S6	96"	467	66"	20"	102"	122"	31"	153"	52"	174"	82"	204"	8	1850	2690		
120TB-FRT-36:S6	120"	584	66"	20"	126"	146"	31"	177"	52"	198"	82"	228"	8	2240	3080		
132TB-FRT-36:S6	132"	643	66"	20"	138"	158"	31"	189"	52"	210"	82"	240"	8	2440	3280		
144TB-FRT-36:S6	144"	701	66"	20"	150"	170"	31"	201"	52"	222"	82"	252"	8	2630	3470		

NOTE: "S6" DENOTATES IAC'S 60 SERIES – 6.25" DIAMETER BAG FILTER DESIGN.; 4.5" DIAMETER FILTER DESIGNS ARE AVAILABLE.

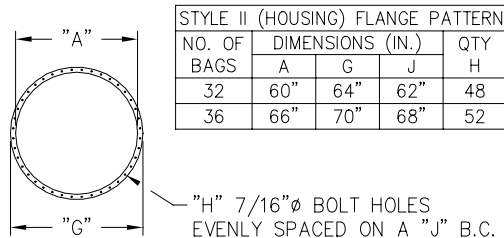
* C.S. CONSTRUCTION 60° CONE



RECEIVER ADD-ON HEIGHT, L, FOR A RECEIVER SECTION WITH A MAXIMUM INLET DIAMETER, K.

DIM K	2"	3"	4"	5"	6"	8"	10"	12"
DIM L	7"	9"	12"	14"	16"	21"	26"	31"

TANGENTIAL INLET w/INTERIOR CONE



STYLE II (HOUSING) FLANGE PATTERN

NO. OF BAGS	DIMENSIONS (IN.)				QTY
	A	G	J	H	
32	60"	64"	62"	48	
36	66"	70"	68"	52	

STYLE II BIN-VENT FLANGE

INTERSTITIAL AREA BASED ON A BAG CROSS SECTIONAL AREA OF 0.21 SQ.FT.

NO. OF BAGS	HOUSING I.D. (IN.)	INTERSTITIAL AREA (SQ. FT.)
32	59 3/4"	12.75
36	65 3/4"	16.02

MATERIALS OF CONSTRUCTION
FILTER RECEIVERS AVAILABLE IN:

- CARBON STEEL
 - STAINLESS STEEL
 - ALUMINUM
- STANDARD STRUCTURAL RATINGS
- PRESSURE RATING: 100" W.C.
 - VACUUM RATING: 7" Hg (-100" W.C.)

OTHER FILTER STYLES
FILTER MEDIA AVAILABLE IN:

- PAPER CARTRIDGES
- SPUN BOND PLEATED ELEMENTS

This material is the property of INDUSTRIAL ACCESSORIES COMPANY and should not be reproduced, published or disclosed to others without authorization. The material shall not be used in any way against or detrimental to INDUSTRIAL ACCESSORIES COMPANY, Overland Park, Kansas.



Industrial Accessories Company

4800 LAMAR
MISSION, KS 66203
(913) 384-5511 fax (913) 384-6577

PROJECT		DATE SENT	LAST REV'D
FILTER INFORMATION TABLE TOP DOOR			11/11/02
DESCRIPTION		PART NO.	PROPOSAL NO.
FILTER RECEIVER: TOP REMOVAL, 60 SERIES SIZES: 32 TO 36 BAGS MODEL: TOP LIFT OFF DOORS			
DRAWING NO.		CD322-02	

NOTE: TANGENTIAL INLET WITH PNEUMATIC RECEIVER SECTION AVAILABLE UPON REQUEST. REFER TO TABLE ABOVE.