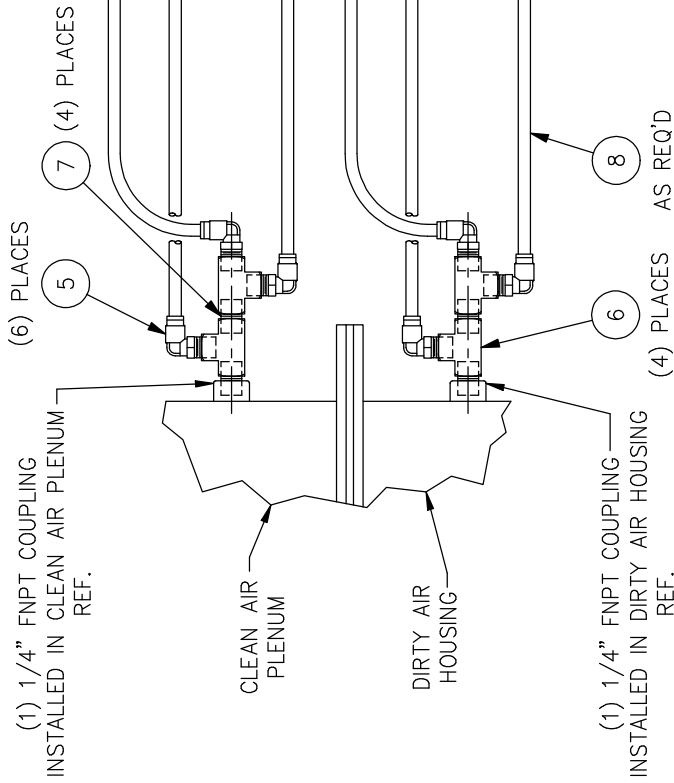
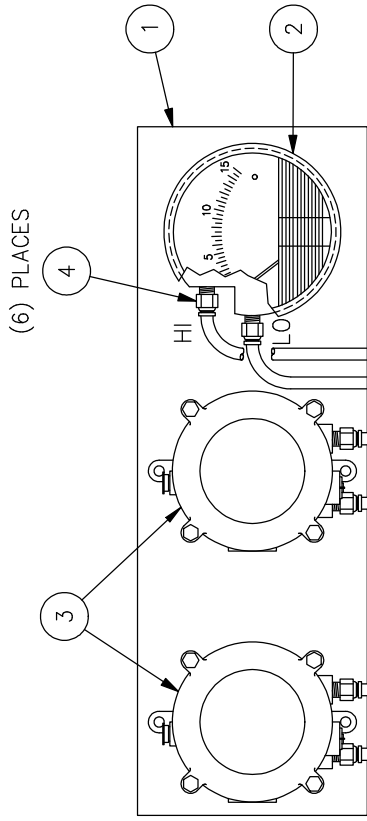


ITEM	DESCRIPTION	QTY	PART No.
1	XP DIFFERENTIAL PRESSURE SWITCH BRACKET	1	504-0053
2	MAGNEHELIC GAUGE, DWYER #2015	1	--
3	XP DIFFERENTIAL PRESSURE SWITCH, DWYER #1950-10	2	--
4	ADAPTER, 1/8" MNPT x 1/4" PUSH-IN HOSE	6	--
5	90° SWIVEL ELBOW, 1/4" MNPT x 1/4" PUSH-IN HOSE	6	--
6	TEE, 1/4" NPT, BRASS	4	--
7	CLOSE NIPPLE, 1/4", BRASS	4	--
8	TUBING, 1/4" BLACK NYLON	AR	--



NOTES:

- 1) LOCATE AND ORIENT AS SHOWN ON GENERAL ARRANGEMENT DRAWING.
- 2) USE MOST CONVENIENT PORTS (SIDE OR REAR) WHEN PLUMBING MAGNEHELIC GAUGE. PLUG UNUSED PORTS.

No.	By	Date	Description of Revision
3	HMS	7/1/04	Added Notes
2	BSE	4/5/00	Corrected 'Dwyer' typo in item #2. Corrected items #4 & #5 from FNPT to MNPT.
1		5/24/99	SEP Standardization. Changed from multiple taps, to tees.

**IAC**  
INDUSTRIAL ACCESSORIES COMPANY

Industrial Accessories Company  
4800 LAMAR  
MISSION, KANSAS 66202  
(913) 384-5511 fax (913) 384-6577

CUSTOMER: IAC STANDARD DRAWING

DATE: 12/17/98

SCALE: N/A

PART NO.: 140-0025

JOB NO.: 140-0025

CHK'D.:  
APP'D.:

DESCRIPTION: MAGNEHELIC GAUGE AND DUAL PRESSURE SWITCH PLUMBING

DRAWING NO.: 140-0025

REV.: 3

SHT. 1 OF 1

This material is the property of INDUSTRIAL ACCESSORIES COMPANY and should not be reproduced, published or disclosed to others without authorization. The material shall not be used in any way against or detrimental to INDUSTRIAL ACCESSORIES COMPANY, Mission, Kansas.