

BIN VENT — BOTTOM LOAD PULSE JET — TUBULAR BAG — STYLE III

| MODEL: | FILTER LENGTH (IN.) | FILTER AREA (SQ.FT.) | NOMINAL DIMENSIONS (IN.) | | | NO. OF VALVES | *EST'D SHIP. WT. (LB.) |
|-----------------|---------------------|----------------------|--------------------------|------|------|---------------|------------------------|
| | | | A | B | C | | |
| 36TB-BVI-9:S6 | 36" | 44 | 24" | 42" | 54" | 3 | 320 |
| 58TB-BVI-9:S6 | 58" | 71 | 24" | 64" | 76" | 3 | 450 |
| 72TB-BVI-9:S6 | 72" | 88 | 24" | 78" | 90" | 3 | 530 |
| 96TB-BVI-9:S6 | 96" | 117 | 24" | 102" | 114" | 3 | 670 |
| 58TB-BVI-16:S6 | 58" | 126 | 32" | 64" | 76" | 4 | 600 |
| 72TB-BVI-16:S6 | 72" | 156 | 32" | 78" | 90" | 4 | 710 |
| 84TB-BVI-16:S6 | 84" | 182 | 32" | 90" | 102" | 4 | 800 |
| 96TB-BVI-16:S6 | 96" | 208 | 32" | 102" | 114" | 4 | 890 |
| 58TB-BVI-25:S6 | 58" | 196 | 40" | 64" | 76" | 5 | 740 |
| 72TB-BVI-25:S6 | 72" | 243 | 40" | 78" | 90" | 5 | 880 |
| 96TB-BVI-25:S6 | 96" | 325 | 40" | 102" | 114" | 5 | 1110 |
| 108TB-BVI-25:S6 | 108" | 365 | 40" | 114" | 126" | 5 | 1230 |
| 120TB-BVI-25:S6 | 120" | 406 | 40" | 126" | 138" | 5 | 1350 |
| 58TB-BVI-36:S6 | 58" | 282 | 48" | 64" | 76" | 6 | 890 |
| 96TB-BVI-36:S6 | 96" | 467 | 48" | 102" | 114" | 6 | 1340 |
| 108TB-BVI-36:S6 | 108" | 526 | 48" | 114" | 126" | 6 | 1480 |
| 120TB-BVI-36:S6 | 120" | 584 | 48" | 126" | 138" | 6 | 1620 |

* C.S. CONSTRUCTION

| HOUSING FLANGE PATTERN | | | | | |
|------------------------|------------------|-----|----|------------|--|
| NO. OF BAGS | DIMENSIONS (IN.) | | | QUANTITIES | |
| | A | B | E | F | |
| 9 | 24" | 28" | 5 | 28 | |
| 16 | 32" | 36" | 7 | 36 | |
| 25 | 40" | 44" | 9 | 44 | |
| 36 | 48" | 52" | 11 | 52 | |

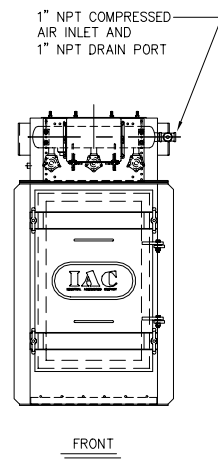
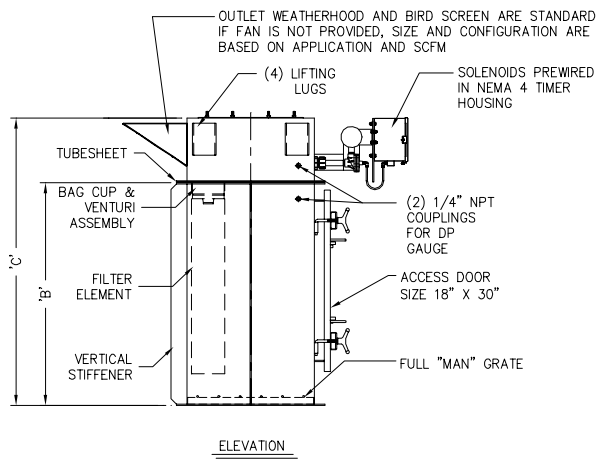
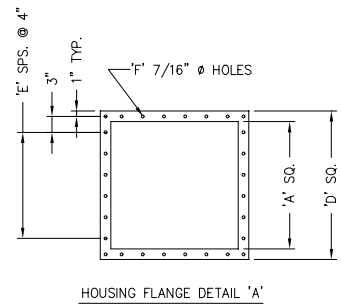
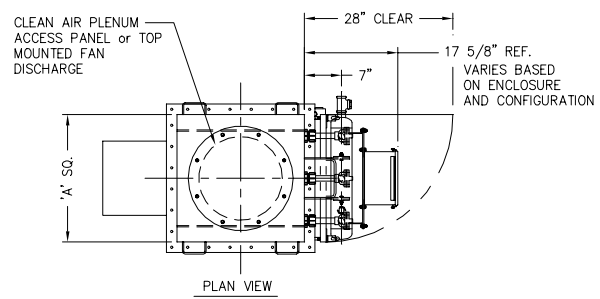
| INTERSTITIAL ARE BASED ON A BAG CROSS SECTIONAL AREA OF 0.21 SQ. FT. | | |
|----------------------------------------------------------------------|--------------------------|-----------------------------|
| NO. OF BAGS | HOUSING INNER DIM. (IN.) | INTERSTITIAL AREA (SQ. FT.) |
| 9 | 23 3/4" | 2.03 |
| 16 | 31 3/4" | 3.64 |
| 25 | 39 3/4" | 5.72 |
| 36 | 47 3/4" | 8.27 |


Help note 

- MATERIALS OF CONSTRUCTION**
 BIN VENTS AVAILABLE IN:
 • CARBON STEEL
 • STAINLESS STEEL
 • ALUMINUM
- STANDARD STRUCTURAL RATINGS**
 • PESSION RATING: 20" W.C.
 • VACUUM RATING: 20" W.C.
- OTHER FILTER STYLES**
 FILTER MEDIA AVAILABLE IN:
 • PAPER CARTRIDGE
 • SPUN BOND PLEATED ELEMENT

GENERAL NOTES: FILTER SPECIFICATIONS FOR STANDARD MODELS

- Design Pressure: Square/Rectangular units: ± 20" W.C. standard design pressure
Cylindrical (Round) units: 17" Hg design vacuum; up to 14.9 PSIG pressure
- Air Pressure Requirement: 70 to 120 PSIG
- Prewired and Prepped at factory
- Efficiency: 0.02 grs/DSCF maximum outlet emission
- Tubular style unit uses a standard 6.0" diameter filter bag; this design is shown on G.A. drawing
- Power Requirements: 120V, 1 Ph, 60 HZ
- Casing Construction: 12 ga. up to 1/4" plate depending on pressure rating and application
- Sheet Construction: 3/16" thick, carbon steel; 1/4" x 5" stiffeners
- Stiffeners: 1/4" x 3" Flat Bar, carbon steel
- Flanges and Rings: 1/4" x 2" Flat Bar, carbon steel
- 100% Galvanized, 12 wire, corrosion resistant bag support cages
- Painted Surfaces Metal Prep: Solvent wiped- SSPC- SP1; and, Power tool cleaned SSPC- SP3
- Exterior Surfaces: 2 coats; 1 epoxy 2-part primer and 1 finish coat of high solids industrial enamel
- 100% Exterior Welded: ASME certified weld specifications and procedures
- 1/2" Black Nylon or Copper Interconnecting Tubing
- Asco or Goyen Pulse Valves- cast aluminum
- Hardware- Grade 5, plated; silicone caulk provided
- Tubsheet is removable; bolted between upper and lower flanges; over 330 bags, tubsheet is seal welded to casing
- Diaphragm Pulse Valve Sizes: 3 rows up to 6 rows- 3/4" diaphragm valve and greater- 1 1/2" double diaphragm valve
- NEMA 4, dust and watertight, electrical instruments and panels
- Air Pressure Gauge- 0 to 150 PSIG
- Aluminum Bulkhead Fittings
- IAC Side (Bottom) Load and Walk-In CAP design units
Doors Dimensions :18" width by "x" Height; Standard Heights: 30", 38", 60", and 72"
- Top Door Style Units: Lift-Off Doors with Top Deck Full Perimeter Handrail and 4" Kickplate
- Top Load Style Units: Inspection Door located in Hopper (Style 3) or Housing (Style 2)
Standard Sizes: 10", 16", 20", and 24" diameter
"DP" Differential Pressure Gauge (Magnehelic)
- Sloped Roof- Top Door Style Units
- Door hold down assembly stud on top door units shall be 304 SST
- Drawing to be used for Lay-Out and Engineering purposes only
- Style 3 (Hopper Section) Discharge - Optional Sizes Available



| | | |
|----------------------------------------------------------------------------------------------------------------------------------------------------------------------------------------------------------------------------------------------------------------------------|--|------------------------------------------------------------------------------|
|  Industrial Accessories Company 4800 LAMAR MISSION, KS 66202 (913) 384-5511 fax (913) 384-6577 | | DATE SENT: 11/11/02 LAST REV'D: PART NO.: REVD BY: PROPOSAL NO.: |
| PROJECT: FILTER INFORMATION TABLE DESCRIPTION: BIN VENT: BOTTOM LOAD 9 TO 36 ELEMENTS | | DRAWING NO.: CD301-01 |
| This material is the property of INDUSTRIAL ACCESSORIES COMPANY and should not be reproduced, published or disclosed to others without authorization. The material shall not be used in any way against or detrimental to INDUSTRIAL ACCESSORIES COMPANY, Mission, Kansas. | | |

BIN VENT — BOTTOM LOAD PULSE JET — TUBULAR BAG — STYLE II

| MODEL: | FILTER LENGTH (IN.) | FILTER AREA (SQ.FT.) | NOMINAL DIMENSION (IN.) | | | NO. OF VALVES | *EST'D SHIP. WT. (LB.) |
|------------------|---------------------|----------------------|-------------------------|------|------|---------------|------------------------|
| | | | A | B | C | | |
| 96TB-BVI-49:S6 | 96" | 636 | 56" | 102" | 118" | 7 | 1610 |
| 108TB-BVI-49:S6 | 108" | 716 | 56" | 114" | 130" | 7 | 1770 |
| 120TB-BVI-49:S6 | 120" | 795 | 56" | 126" | 142" | 7 | 1940 |
| 144TB-BVI-49:S6 | 144" | 954 | 56" | 150" | 166" | 7 | 2260 |
| 96TB-BVI-64:S6 | 96" | 831 | 64" | 102" | 118" | 8 | 1840 |
| 108TB-BVI-64:S6 | 108" | 935 | 64" | 114" | 130" | 8 | 2030 |
| 120TB-BVI-64:S6 | 120" | 1039 | 64" | 126" | 142" | 8 | 2210 |
| 144TB-BVI-64:S6 | 144" | 1247 | 64" | 150" | 166" | 8 | 2590 |
| 120TB-BVI-81:S6 | 120" | 1315 | 72" | 126" | 142" | 9 | 2490 |
| 144TB-BVI-81:S6 | 144" | 1578 | 72" | 150" | 166" | 9 | 2910 |
| 120TB-BVI-100:S6 | 120" | 1623 | 80" | 126" | 142" | 10 | 2770 |
| 144TB-BVI-100:S6 | 144" | 1948 | 80" | 150" | 166" | 10 | 3230 |

* C.S. CONSTRUCTION

| HOUSING FLANGE PATTERN | | | | | |
|------------------------|------------------|-----|----|----|------------|
| NO. OF BAGS | DIMENSIONS (IN.) | | | | QUANTITIES |
| | A | D | E | F | |
| 49 | 56" | 60" | 13 | 60 | |
| 64 | 64" | 68" | 15 | 68 | |
| 81 | 72" | 76" | 17 | 76 | |
| 100 | 80" | 84" | 19 | 84 | |

INTERSTITIAL ARE BASED ON A BAG CROSS SECTIONAL AREA OF 0.21 SQ. FT.

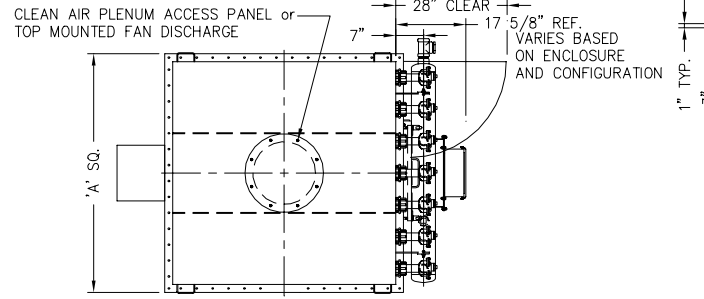
| NO. OF BAGS | HOUSING INNER DIM. (IN.) | INTERSTITIAL AREA (SQ. FT.) |
|-------------|--------------------------|-----------------------------|
| | | |
| 64 | 63 3/4" | 14.78 |
| 81 | 71 3/4" | 18.74 |
| 100 | 79 3/4" | 23.17 |

- MATERIALS OF CONSTRUCTION**
 BIN VENTS AVAILABLE IN:
 • CARBON STEEL
 • STAINLESS STEEL
 • ALUMINUM
- STANDARD STRUCTURAL RATINGS**
 • PEASURE RATING: 20" W.C.
 • VACUUM RATING: 20" W.C.
- OTHER FILTER STYLES**
 FILTER MEDIA AVAILABLE IN:
 • PAPER CARTRIDGE
 • SPUN BOND PLEATED ELEMENT

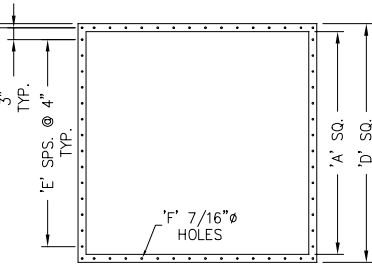
GENERAL NOTES: FILTER SPECIFICATIONS FOR STANDARD MODELS

- Design Pressure: Square/Rectangular units; ± 20" W.C. standard design pressure
Cylindrical (Round) units: 17" Hg design vacuum; up to 14.9 PSIG pressure
- Air Pressure Requirement: 70 to 120 PSIG
- Prewired and Prepped at factory
- Efficiency: 0.02 grs/DSCF maximum outlet emission
- Tubular style unit uses a standard 6.0" diameter filter bag; this design is shown on G.A. drawing
- Power Requirements: 120V, 1 Ph, 60 HZ
- Casing Construction: 12 ga. up to 1/4" plate depending on pressure rating and application
- Tube-sheet Construction: 3/16" thick, carbon steel; 1/4" x 5" stiffeners
- Stiffeners: 1/4" x 3" Flat Bar, carbon steel
- Flanges and Rings: 1/4" x 2" Flat Bar, carbon steel
- 100% Galvanized, 12 wire, corrosion resistant bag support cages
- Painted Surfaces Metal Prep: Solvent wiped- SSPC- SP1; and, Power tool cleaned SSPC- SP3
- Exterior Surfaces: 2 coats; 1 epoxy 2-part primer and 1 finish coat of high solids industrial enamel
- 100% Exterior Welded; ASME certified weld specifications and procedures
- 1/4" Black Nylon or Copper Interconnecting Tubing
- Asse. or Goven Pulse Valves- cast aluminum
- Hardware- Grade 5, plated; silicone caulk provided
- Tube-sheet is removable; bolted between upper and lower flanges; over 330 bags, tube-sheet is seal welded to casing
- Diaphragm Pulse Valve Sizes: 3 rows up to 6 rows- 3/4" diaphragm
7 rows and greater- 1 1/2" double diaphragm valve
- NEMA 4, dust and watertight, electrical instruments and panels
- Air Pressure Gauge- 0 to 150 PSIG
- Aluminum Bulkhead Fittings
- IAC Side (Bottom) Load and Walk-In CAP design units
Doors Dimensions :18" width by "x" Height; Standard Heights: 30", 38", 60", and 72"
- Top Door Style Units: Lift-Off Doors with Top Deck Full Perimeter Handrail and 4" Kickplate
- Top Load Style Units: Inspection Door located in Hopper (Style 3) or Housing (Style 2)
Standard Sizes: 10", 16", 20", and 24" diameter
- "DP" Differential Pressure Gauge (Magnehelic)
- Sloped Roof- Top Door Style Units
- Door hold down assembly stud on top door units shall be 304 SST
- Drawing to be used for Lay-Out and Engineering purposes only.
- Style 3 (Hopper Section) Discharge - Optional Sizes Available

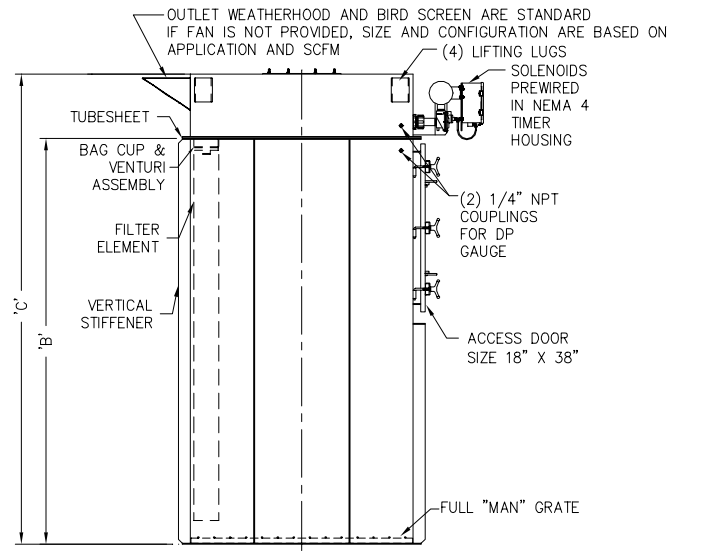
Help note



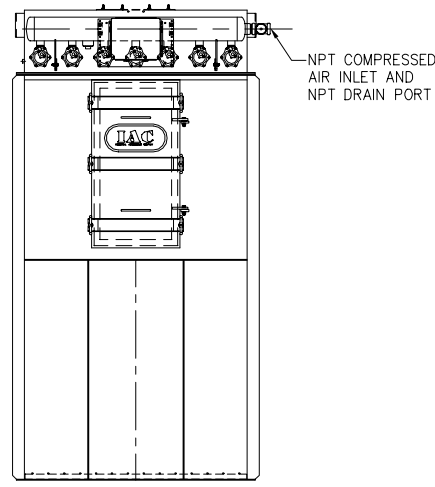
PLAN VIEW



HOUSING FLANGE DETAIL 'A'



ELEVATION



FRONT

| | | | |
|----------------------------------------------------------------------------------------------------------------------------------------------------------------------------------------------------------------------------------------------------------------------------|--|--------------------------------------------------------------------------------------------------------|--------------------------|
| This material is the property of INDUSTRIAL ACCESSORIES COMPANY and should not be reproduced, published or disclosed to others without authorization. The material shall not be used in any way against or detrimental to INDUSTRIAL ACCESSORIES COMPANY, Mission, Kansas. | | Industrial Accessories Company 4800 LAMAR MISSION, KS 66202 (913) 384-5511 fax (913) 384-6577 | |
| | | | |
| DESCRIPTION BIN VENT: BOTTOM LOAD 49 TO 100 ELEMENTS | | PART NO. 11/11/02 | REV'D BY PROPOSAL NO. |
| | | DRAWING NO. CD301-02 | |