

BIN VENT – TOP LOAD PULSE JET – TUBULAR BAG – STYLE II

MODEL:	FILTER LENGTH (IN.)	FILTER AREA (SQ.FT.)	NOMINAL DIMENSIONS (IN.)			NO. OF VALVES	NO. OF DOORS	*EST'D SHIP. WT. (LB.)
			A	B	C			
36TB-BVT-9:S6	36"	44	29"	42"	60"	3	1	430
58TB-BVT-9:S6	58"	71	29"	64"	82"	3	1	580
72TB-BVT-9:S6	72"	88	29"	78"	96"	3	1	680
96TB-BVT-9:S6	96"	117	29"	102"	120"	3	1	850
58TB-BVT-16:S6	58"	126	37"	64"	82"	4	1	740
72TB-BVT-16:S6	72"	156	37"	78"	96"	4	1	870
84TB-BVT-16:S6	84"	182	37"	90"	108"	4	1	980
96TB-BVT-16:S6	96"	208	37"	102"	120"	4	1	1080
58TB-BVT-25:S6	58"	196	45"	64"	82"	5	2	900
72TB-BVT-25:S6	72"	243	45"	78"	96"	5	2	1060
96TB-BVT-25:S6	96"	325	45"	102"	120"	5	2	1320
108TB-BVT-25:S6	108"	365	45"	114"	132"	5	2	1450
120TB-BVT-25:S6	120"	406	45"	126"	144"	5	2	1580
58TB-BVT-36:S6	58"	282	53"	64"	82"	6	2	1060
96TB-BVT-36:S6	96"	467	53"	102"	120"	6	2	1550
108TB-BVT-36:S6	108"	526	53"	114"	132"	6	2	1710
120TB-BVT-36:S6	120"	584	53"	126"	144"	6	2	1860

* C.S. CONSTRUCTION

INTERSTITIAL AREA BASED ON A BAG CROSS SECTIONAL AREA OF 0.21 SQ.FT.

NO. OF BAGS	HOUSING INNER DIM. (IN.)	INTERSTITIAL AREA (SQ. FT.)
16	36 3/4" SQ.	6.02
25	44 3/4" SQ.	8.66
36	52 3/4" SQ.	11.76

NO. OF BAGS	HOUSING FLANGE PATTERN DIMENSIONS (IN.)				QUANTITIES
	A	D	G	H	
9	29"	33"	6	32	
16	37"	41"	8	40	
25	45"	49"	10	48	
36	53"	57"	12	56	

Help note

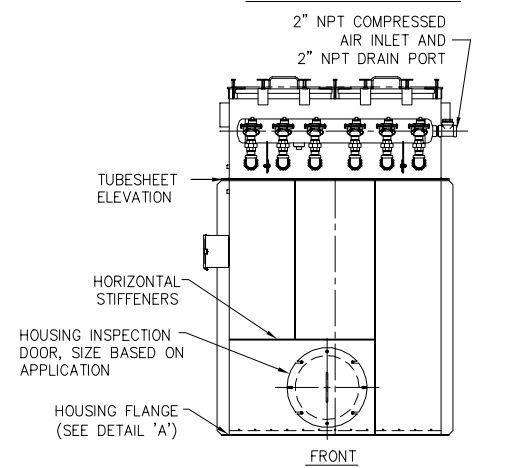
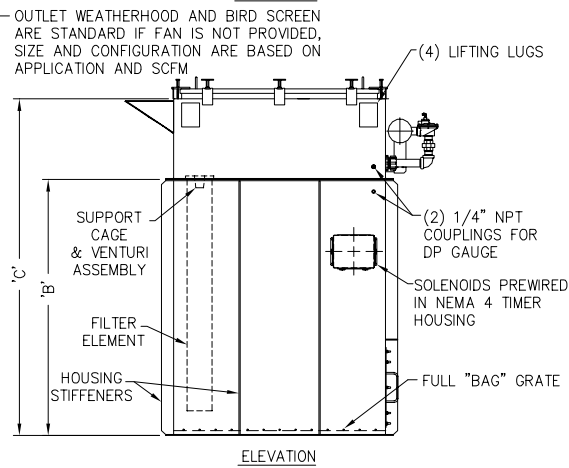
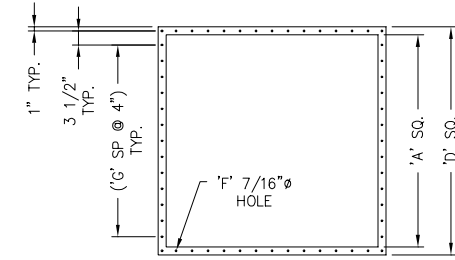
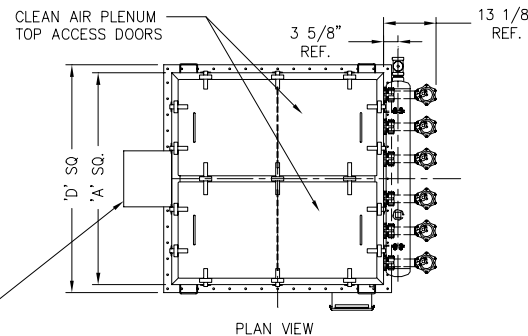


MATERIALS OF CONSTRUCTION

- BIN VENTS AVAILABLE IN:
- CARBON STEEL
 - STAINLESS STEEL
 - ALUMINUM
- STANDARD STRUCTURAL RATINGS
- PRESSURE RATING: 20" W.C.
 - VACUUM RATING: 20" W.C.
- OTHER FILTER STYLES
- FILTER MEDIA AVAILABLE IN:
- PAPER CARTRIDGE
 - SPUN BOND PLEATED ELEMENT

GENERAL NOTES: FILTER SPECIFICATIONS FOR STANDARD MODELS

- Design Pressure: Square/Rectangular units: ± 20" W.C. standard design pressure
Cylindrical (Round) units: 17" Hg design vacuum; up to 14.9 PSIG pressure
- Air Pressure Requirement: 70 to 120 PSIG
- Prewired and Prewired at factory
- Efficiency: 0.02 grs/DSCF maximum outlet emission
- Tubular style unit uses a standard 6.0" diameter filter bag; this design is shown on G.A. drawing
- Power Requirements; 120V, 1 Ph, 60 HZ
- Casing Construction: 12 ga. up to 1/4" plate depending on pressure rating and application
- Sheet Construction: 3/16" thick, carbon steel; 1/4" x 5" stiffeners
- Stiffeners: 1/4" x 3" Flat Bar, carbon steel
- Flanges and Rings: 1/4" x 2" Flat Bar, carbon steel
- 100% Galvanized, 12 wire, corrosion resistant bag support cages
- Painted Surfaces Metal Prep: Solvent wiped- SSPC- SP1; and, Power tool cleaned SSPC- SP3
- Exterior Surfaces: 2 coats; 1 epoxy 2-part primer and 1 finish coat of high solids industrial enamel
- 100% Interior Welded; ASME certified weld specifications and procedures
- 1/4" Black Nylon or Copper Interconnecting Tubing
- Asco or Goyen Pulse Valves- cast aluminum
- Hardware- Grade 5, plated; silicone caulk provided
- Sheet is removable; bolted between upper and lower flanges; over 330 bags, sheet is seal welded to casing
- Diaphragm Pulse Valve Sizes: 3 rows up to 6 rows- 3/4" diaphragm valve
7 rows and greater- 1 1/2" double diaphragm valve
- NEMA 4, dust and watertight, electrical instruments and panels
- Air Pressure Gauge- 0 to 150 PSIG
- Aluminum Bulkhead Fittings
- IAC Side (Bottom) Load and Walk-In CAP design units
Doors Dimensions :18" width by "x" Height; Standard Heights: 30", 38", 60", and 72"
- Top Door Style Units: Lift-Off Doors with Top Deck Full Perimeter Handrail and 4" Kickplate
- Top Load Style Units: Inspection Door located in Hopper (Style 3) or Housing (Style 2)
Standard Sizes: 10", 16", 20", and 24" diameter
- "DP" Differential Pressure Gauge (Magnehelic)
- Sloped Roof- Top Door Style Units
- Door hold down assembly stud on top door units shall be 304 SST
- Drawing to be used for Lay-Out and Engineering purposes only.
- Style 3 (Hopper Section) Discharge - Optional Sizes Available



This material is the property of INDUSTRIAL ACCESSORIES COM- PANY and should not be reproduced, published or disclosed to others without authorization. The material shall not be used in any way against or detrimental to INDUSTRIAL ACCESSORIES COMPANY, Mission, Kansas.

Industrial Accessories Company
4800 LAMAR
MISSION, KS 66202
(913) 384-5511 fax (913) 384-6577

PROJECT	DATE SENT	LAST REV'D
FILTER INFORMATION TABLE	11/11/2002	REV'D BY
DESCRIPTION	PART NO.	PROF. NO.
BIN VENT: TOP LOAD 9 TO 36 ELEMENTS	DRAWING NO.	CD303-01

BIN VENT - TOP LOAD PULSE JET - TUBULAR BAG - STYLE II

MODEL:	FILTER LENGTH (IN.)	FILTER AREA (SQ.FT.)	APPROXIMATE DIMENSIONS (IN.)				NO. OF VALVES	NO. OF DOORS	*EST'D SHIP. WT. (LB.)
			A	B	C	D			
96TB-BVT-49:S6	96"	636	61"	61"	102"	122"	7	2	1810
108TB-BVT-49:S6	108"	716	61"	61"	114"	134"	7	2	1990
120TB-BVT-49:S6	120"	795	61"	61"	126"	146"	7	2	2170
144TB-BVT-49:S6	144"	954	61"	61"	150"	170"	7	2	2530
96TB-BVT-64:S6	96"	831	69"	69"	102"	122"	8	2	2050
108TB-BVT-64:S6	108"	935	69"	69"	114"	134"	8	2	2250
120TB-BVT-64:S6	120"	1039	69"	69"	126"	146"	8	2	2450
144TB-BVT-64:S6	144"	1247	69"	69"	150"	170"	8	2	2860
120TB-BVT-81:S6	120"	1315	77"	79"	126"	146"	9	3	2770
144TB-BVT-81:S6	144"	1578	77"	79"	150"	170"	9	3	3230
120TB-BVT-100:S6	120"	1623	85"	87"	126"	146"	10	3	3060
144TB-BVT-100:S6	144"	1948	85"	87"	150"	170"	10	3	3560
120TB-BVT-121:S6	120"	1964	93"	95"	126"	146"	11	3	3340
144TB-BVT-121:S6	144"	2357	93"	95"	150"	170"	11	3	3890
120TB-BVT-144:S6	120"	2337	101"	105"	126"	146"	12	4	3660
144TB-BVT-144:S6	144"	2805	101"	105"	150"	170"	12	4	4260

INTERSTITIAL AREA BASED ON A FILTER CROSS SECTIONAL AREA OF 0.21 SQ.FT.

NO. OF BAGS	HOUSING INTERIOR DIMENSIONS (IN.)		INTERSTITIAL AREA (SQ.FT.)	
	A	B	A	B
49	60 3/4"	60 3/4"	15.34	
64	68 3/4"	68 3/4"	19.38	
81	76 3/4"	78 3/4"	24.96	
100	84 3/4"	86 3/4"	30.06	
121	92 3/4"	94 3/4"	35.62	
144	100 3/4"	104 3/4"	43.05	

STYLE II (HOUSING) FLANGE PATTERN

NO. OF BAGS	DIMENSIONS (IN.)							QUANTITIES		
	A	B	E	F	G	H	J	K		
49	61"	61"	65"	65"	3 1/2"	14	14	64		
64	69"	69"	73"	73"	3 1/2"	16	16	72		
81	77"	79"	81"	83"	2 1/2"	18	19	82		
100	85"	87"	89"	91"	2 1/2"	20	21	90		
121	93"	95"	97"	99"	2 1/2"	22	23	98		
144	101"	105"	105"	109"	3 1/2"	24	25	106		

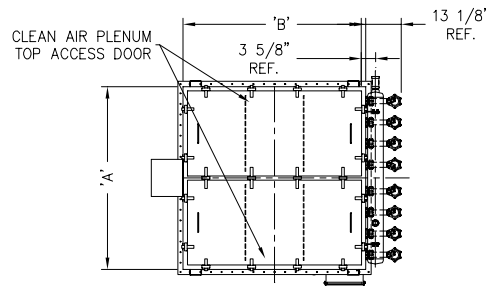
Help note



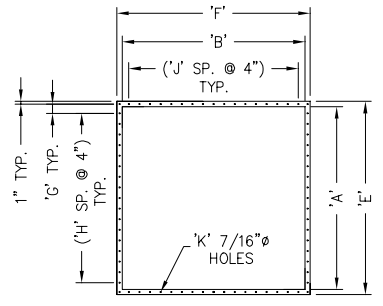
GENERAL NOTES: FILTER SPECIFICATIONS FOR STANDARD MODELS

- Design Pressure: Square/Rectangular units: ± 20" W.C. standard design pressure
Cylindrical (Round) units: 17" Hg design vacuum; up to 14.9 PSIG pressure
- Air Pressure Requirement: 70 to 120 PSIG
- Prewired and Piped at factory
- Efficiency: 0.02 grs/DSCF maximum outlet emission
- Tubular style unit uses a standard 6.0" diameter filter bag; this design is shown on G.A. drawing
- Power Requirements: 120V, 1 Ph, 60 HZ
- Casing Construction: 12 ga. up to 1/4" plate depending on pressure rating and application
- Tube-sheet Construction: 3/16" thick, carbon steel; 1/4" x 5" stiffeners
- Stiffeners: 1/4" x 3" Flat Bar, carbon steel
- Flanges and Rings: 1/4" x 2" Flat Bar, carbon steel
- 100% Galvanized, 12 wire, corrosion resistant bag support cages
- Painted Surfaces Metal Prep: Solvent wiped- SSPC- SP1; and, Power tool cleaned SSPC- SP3
- Exterior Surfaces: 2 coats; 1 epoxy 2-part primer and 1 finish coat of high solids industrial enamel
- 100% Exterior Welded; ASME certified weld specifications and procedures
- 1/4" Black Nylon or Copper Interconnecting Tubing
- Asco or Goyen Pulse Valves- cast aluminum
- Hardware- Grade 5, plated; silicone caulk provided
- Tube-sheet is removable; bolted between upper and lower flanges; over 330 bags, tube-sheet is seal welded to casing
- Diaphragm Pulse Valve Sizes: 3 rows up to 6 rows- 3/4" diaphragm valve
7 rows and greater- 1 1/2" double diaphragm valve
- NEMA 4, dust and watertight, electrical instruments and panels
- Air Pressure Gauge- 0 to 150 PSIG
- Aluminum Bulkhead Fittings
- IAC Side (Bottom) Load and Walk-In CAP design units
Doors Dimensions :18" width by "x" Height; Standard Heights: 30", 38", 60", and 72"
- Top Door Style Units: Lift-Off Doors with Top Deck Full Perimeter Handrail and 4" Kickplate
- Top Load Style Units: Inspection Door located in Hopper (Style 3) or Housing (Style 2)
Standard Sizes: 10", 16", 20", and 24" diameter
- "DP" Differential Pressure Gauge (Magnehelic)
- Sloped Roof- Top Door Style Units
- Door hold down assembly stud on top door units shall be 304 SST
- Drawing to be used for Lay-Out and Engineering purposes only.
- Style 3 (Hopper Section) Discharge - Optional Sizes Available

* C.S. CONSTRUCTION



PLAN VIEW



HOUSING FLANGE DETAIL "A"

MATERIALS OF CONSTRUCTION

BIN VENTS AVAILABLE IN:

- CARBON STEEL
- STAINLESS STEEL
- ALUMINUM

STANDARD STRUCTURAL RATINGS

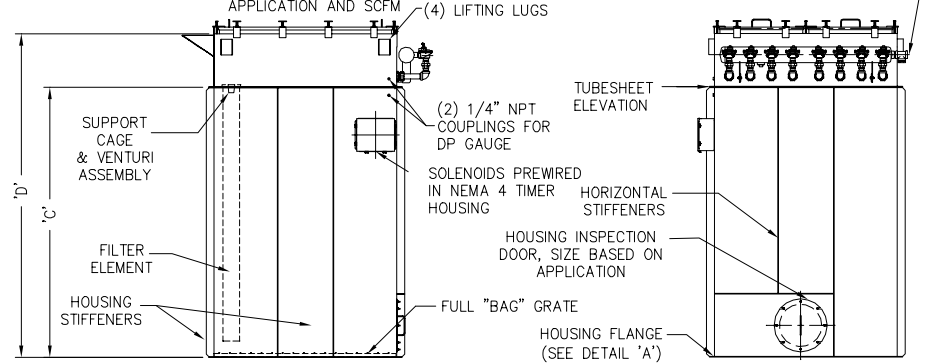
- PRESSURE RATING: 20" W.C.
- VACUUM RATING: 20" W.C.

OTHER FILTER STYLES

FILTER MEDIA AVAILABLE IN:

- PAPER CARTRIDGE
- SPUN BOND PLEATED ELEMENT

OUTLET WEATHERHOOD AND BIRD SCREEN ARE STANDARD IF FAN IS NOT PROVIDED, SIZE AND CONFIGURATION ARE BASED ON APPLICATION AND SCFM



ELEVATION

FRONT

This material is the property of INDUSTRIAL ACCESSORIES COMPANY and should not be reproduced, published or disclosed to others without authorization. The material shall not be used in any way optional or detrimental to INDUSTRIAL ACCESSORIES COMPANY, Mission, Kansas.

IAC Industrial Accessories Company
4800 LAMAR
MISSION, KS 66202
(913) 384-5511 fax (913) 384-6577

PROJECT	FILTER INFORMATION TABLE	DATE	11/11/2002	LAST REV.	
REVISION		PART NO.		REV. BY	
BIN VENT: TOP LOAD 49 TO 144 ELEMENTS		DRAWING NO.	CD303-02		

BIN VENT - TOP LOAD JET - TUBLAG BAG - STYLE II

MODEL NO	FILTER LENGTH IN	FILTER AREA SQ	NOMINAL DIMENSIONS (IN)				NO OF VALVES	SHIP WEIGHT	AVG COMP AIR	MAXIMUM COMP AIR	CASING CROSS	DIAPHRAGM VALVE SIZE
			A	B	C	D						
120TBBHT169S6	120	2743.13	109.00	113.00	126	146.188	13	4047	18.6	70.2	85.53	1.50
144TBBHT169S6	144	3291.76	109.00	113.00	150	170.188	13	4694	18.6	70.2	85.53	1.50
120TBBHT196S6	120	3181.39	117.00	121.00	126	146.188	14	4339	20.1	75.6	98.31	1.50
144TBBHT196S6	144	3817.66	117.00	121.00	150	170.188	14	5033	20.1	75.6	98.31	1.50
120TBBHT225S6	120	3652.10	125.00	131.00	126	146.188	15	4667	21.5	81	113.72	1.50
144TBBHT225S6	144	4382.52	125.00	131.00	150	170.188	15	5413	21.5	81	113.72	1.50
120TBBHT256S6	120	4155.28	125.00	139.00	126	146.188	16	4813	25.8	86.4	120.66	1.50
144TBBHT256S6	144	4986.34	125.00	139.00	150	170.188	16	5582	25.8	86.4	120.66	1.50
120TBBHT288S6	120	4674.69	125.00	157.00	126	146.188	18	5141	25.8	97.2	136.28	1.50
144TBBHT288S6	144	5609.63	125.00	157.00	150	170.188	18	5963	25.8	97.2	136.28	1.50
120TBBHT336S6	120	5453.80	125.00	183.00	126	146.188	21	5815	30.1	113.4	158.85	1.50
144TBBHT336S6	144	6523.57	125.00	183.00	150	170.188	21	6513	30.1	113.4	158.85	1.50
120TBBHT384S6	120	6237.92	125.00	209.00	126	146.188	24	6089	34.4	129.6	181.42	1.50
144TBBHT384S6	144	7479.50	125.00	209.00	150	170.188	24	7063	34.4	129.6	181.42	1.50
120TBBHT432S6	120	7012.03	125.00	235.00	126	146.188	27	6563	38.7	145.8	203.99	1.50
144TBBHT432S6	144	8414.44	125.00	235.00	150	170.188	27	7613	38.7	145.8	203.99	1.50
120TBBHT480S6	120	7791.15	125.00	261.00	126	146.188	30	7063	43	162	226.56	1.50
144TBBHT480S6	144	9349.38	125.00	261.00	150	170.188	30	8162	43	162	226.56	1.50

INTERSTITIAL AREA BASED ON A BAG CROSS SECTION AREA OF 0.21 SQ.FT.

NO. OF BAGS	HOUSING INNER DIM.	INTERSTITIAL AREA
169	107 3/4" X 111 3/4"	50.10
196	115 3/4" X 119 3/4"	57.22
225	123 3/4" X 129 3/4"	66.54
256	123 3/4" X 137 3/4"	66.99
288	123 3/4" X 155 3/4"	75.90
336	123 3/4" X 181 3/4"	88.41
384	123 3/4" X 207 3/4"	100.92
432	123 3/4" X 233 3/4"	113.42
480	123 3/4" X 259 3/4"	126.93

GENERAL NOTES: FILTER SPECIFICATIONS FOR STANDARD MODELS

- Design Pressure: **Square/Rectangular units:** ± 20" W.C. standard design pressure
Cylindrical (Round) units: 17" Hg design vacuum; up to 14.9 PSIG pressure
- Air Pressure Requirement: 70 to 120 PSIG
- Prewired and Prepiped at factory
- Efficiency: 0.02 grs/DSCF maximum outlet emission
- Tubular style unit uses a standard 6.0" diameter filter bag; this design is shown on G.A. drawing
- Power Requirements; 120V, 1 Ph, 60 HZ
- Casing Construction: 12 ga. up to 1/4" plate depending on pressure rating and application
- Tube-sheet Construction: 3/16" thick, carbon steel; 1/4" x 5" stiffeners
- Stiffeners: 1/4" x 3" Flat Bar, carbon steel
- Flanges and Rings: 1/4" x 2" Flat Bar, carbon steel
- 100% Galvanized, 12 wire, corrosion resistant bag support cages
- Painted Surfaces Metal Prep: Solvent wiped- SSPC- SP1; and, Power tool cleaned SSPC- SP3
- Exterior Surfaces: 2 coats; 1 epoxy 2-part primer and 1 finish coat of high solids industrial enamel
- 100% Exterior Welded; ASME certified weld specifications and procedures
- 1/4" Black Nylon or Copper Interconnecting Tubing
- Asco or Goyen Pulse Valves- cast aluminum
- Hardware- Grade 5, plated; silicone caulk provided
- Tube-sheet is removable; bolted between upper and lower flanges; over 330 bags, tube-sheet is seal welded to casing
- Diaphragm Pulse Valve Sizes: 3 rows up to 6 rows- 3/4" diaphragm
7 rows and greater- 1 1/2" double diaphragm valve
- NEMA 4, dust and watertight, electrical instruments and panels
- Air Pressure Gauge- 0 to 150 PSIG
- Aluminum Bulkhead Fittings
- IAC Side (Bottom) Load and Walk-In CAP design units
Doors Dimensions :18" width by "x" Height; Standard Heights: 30", 38", 60", and 72"
- Top Door Style Units: Lift-Off Doors with Top Deck Full Perimeter Handrail and 4" Kickplate
- Top Load Style Units: Inspection Door located in Hopper (Style 3) or Housing (Style 2)
Standard Sizes: 10", 16", 20", and 24" diameter
- "DP" Differential Pressure Gauge (Magnehelic)
- Sloped Roof- Top Door Style Units
- Door hold down assembly stud on top door units shall be 304 SST
- Drawing to be used for Lay-Out and Engineering purposes only.
- Style 3 (Hopper Section) Discharge - Optional Sizes Available

- MATERIALS OF CONSTRUCTION**
- BIN VENTS AVAILABLE IN:**
- CARBON STEEL
 - STAINLESS STEEL
 - ALUMINUM
- STANDARD STRUCTURAL RATINGS**
- PRESSURE RATING: 20" W.C.
 - VACUUM RATING: 20" W.C.
- OTHER FILTER STYLES**
- FILTER MEDIA AVAILABLE IN:**
- PAPER CARTRIDGE
 - SPUN BOND FLEECED ELEMENT

Help note

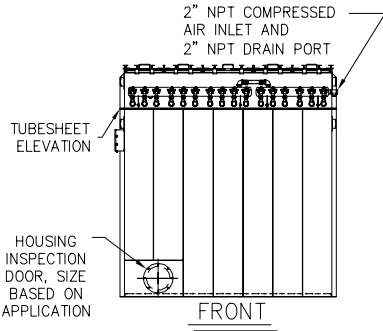
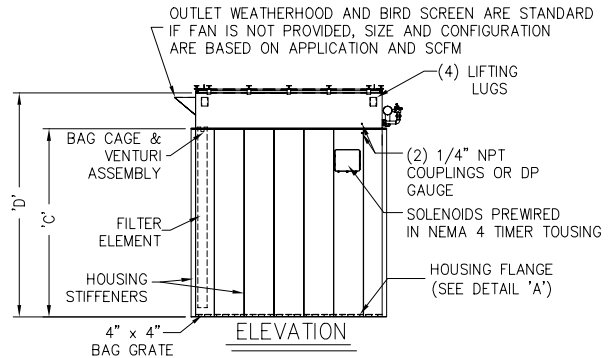
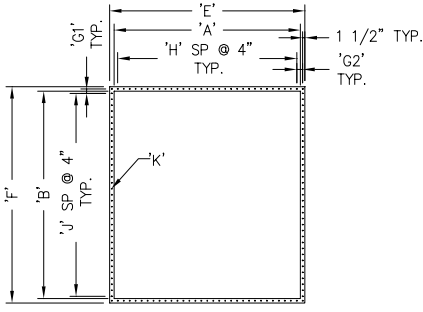
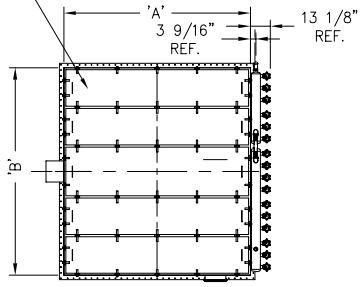


HOUSING FLANGE PATTERN

NO. OF BAGS	DIMENSIONS (IN)								QUANTITIES			
	A	B*	E	F	G1	G2	H	J	K			
169	109"	113"	113"	117"	3 1/2"	-	26	27	114			
196	117"	121"	121"	125"	3 1/2"	-	28	29	122			
225	125"	131"	129"	135"	2 1/2"	-	30	32	132			
256	125"	139"	131"	145"	3"	-	30	34	136**			
288	125"	157"	131"	163"	4"	-	30	38	144**			
336	125"	183"	131"	189"	4"	3"	30	45	158**			
384	125"	209"	131"	215"	4"	4"	30	51	170**			
432	125"	235"	131"	241"	4"	3"	30	58	184**			
480	125"	261"	131"	267"	4"	4"	30	64	196**			

* AIRHEADER SIDE ** 9/16" HOLES

CLEAN AIR PLENUM TOP ACCESS DOOR (TYP.)



This material is the property of INDUSTRIAL ACCESSORIES COMPANY and should not be reproduced, published or disclosed to others without authorization. The material shall not be used in any way against or detrimental to INDUSTRIAL ACCESSORIES COMPANY, Mission, Kansas.

Industrial Accessories Company
4800 LAMAR
MISSION, KS 66202
(913) 384-3511 fax (913) 384-6577

<p>PROJECT: FILTER INFORMATION TABLE</p> <p>DESCRIPTION: BIN VENT: TOP LOAD 169 - 480 ELEMENTS</p>	DATE SENT	LAST REV'D	
	PART NO.	PROPOSAL NO.	
DRAWING NO.	CD303-03		