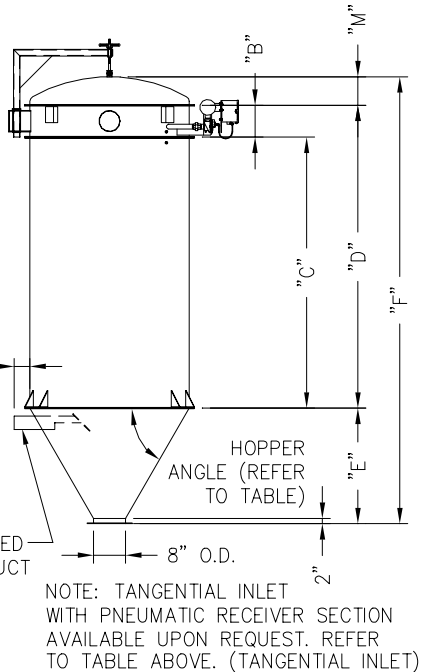
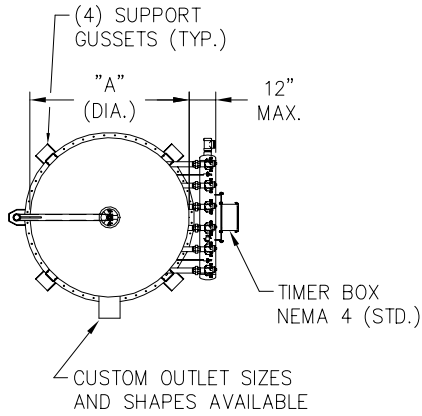


MODEL SHOWN: 96TB-FRDT-32:S6

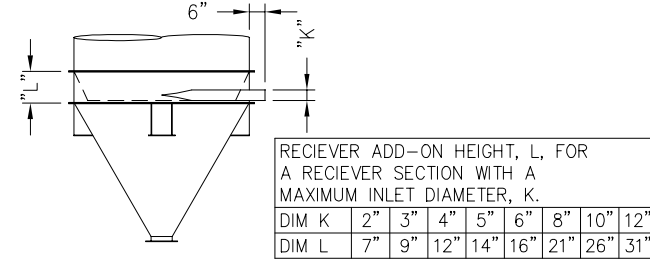


Help note CYLINDRICAL FILTER RECEIVER – DAVIT ARM; TOP LOAD PULSE JET – TUBULAR BAG – STYLE III

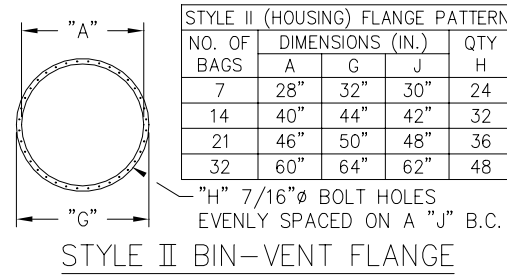
MODEL:	FILTER LENGTH (IN.)	FILTER AREA (SQ.FT.)	NOMINAL DIMENSIONS (IN.)												NO. OF VALVES	*TYPE II EST'D SHIP WT. (LB.)	*TYPE III EST'D SHIP WT. (LB.)				
			A		B		C		D		M		HOPPER ANGLE=45°					HOPPER ANGLE=60°		HOPPER ANGLE=70°	
			(OD.)	(STYLE I)	C	(STYLE II)	M	E	F (STYLE III)	E	F (STYLE III)	E	F (STYLE III)	E				F (STYLE III)			
36TB-FRDT-7:S6	36"	34	28"	10"	42"	52"	6"	12"	70"	20"	78"	30"	88"	3	525	665					
54TB-FRDT-7:S6	54"	51	28"	10"	60"	70"	6"	12"	88"	20"	96"	30"	106"	3	615	745					
72TB-FRDT-7:S6	72"	68	28"	10"	78"	88"	6"	12"	106"	20"	114"	30"	124"	3	705	915					
84TB-FRDT-7:S6	84"	80	28"	10"	90"	100"	6"	12"	118"	20"	126"	30"	136"	3	855	995					
96TB-FRDT-7:S6	96"	91	28"	10"	102"	112"	6"	12"	130"	20"	138"	30"	148"	3	945	1075					
36TB-FRDT-14:S6	36"	68	40"	12"	42"	54"	8"	18"	80"	30"	92"	46"	108"	4	760	1050					
54TB-FRDT-14:S6	54"	102	40"	12"	60"	72"	8"	18"	98"	30"	110"	46"	126"	4	930	1230					
72TB-FRDT-14:S6	72"	136	40"	12"	78"	90"	8"	18"	116"	30"	128"	46"	144"	4	1110	1400					
84TB-FRDT-14:S6	84"	159	40"	12"	90"	102"	8"	18"	128"	30"	140"	46"	156"	4	1230	1520					
96TB-FRDT-14:S6	96"	182	40"	12"	102"	114"	8"	18"	140"	30"	152"	46"	168"	4	1340	1640					
54TB-FRDT-21:S6	54"	153	46"	12"	60"	72"	8 1/2"	21"	101 1/2"	35"	115 1/2"	54"	134 1/2"	5	1005	1405					
72TB-FRDT-21:S6	72"	205	46"	12"	78"	90"	8 1/2"	21"	119 1/2"	35"	133 1/2"	54"	152 1/2"	5	1275	1675					
96TB-FRDT-21:S6	96"	273	46"	12"	102"	114"	8 1/2"	21"	143 1/2"	35"	157 1/2"	54"	176 1/2"	5	1555	1945					
108TB-FRDT-21:S6	108"	307	46"	12"	114"	126"	8 1/2"	21"	155 1/2"	35"	169 1/2"	54"	188 1/2"	5	1685	2075					
120TB-FRDT-21:S6	120"	341	46"	12"	126"	138"	8 1/2"	21"	167 1/2"	35"	181 1/2"	54"	200 1/2"	5	1815	2215					
54TB-FRDT-32:S6	54"	234	60"	16"	60"	72"	10 3/4"	28"	114 3/4"	47"	133 3/4"	74"	160 3/4"	6	1060	1460					
72TB-FRDT-32:S6	72"	312	60"	16"	78"	90"	10 3/4"	28"	132 3/4"	47"	151 3/4"	74"	178 3/4"	6	1330	1730					
96TB-FRDT-32:S6	96"	416	60"	16"	102"	114"	10 3/4"	28"	156 3/4"	47"	175 3/4"	74"	202 3/4"	6	1610	2000					
120TB-FRDT-32:S6	120"	519	60"	16"	126"	138"	10 3/4"	28"	180 3/4"	47"	199 3/4"	74"	266 3/4"	6	1740	2130					
132TB-FRDT-32:S6	132"	571	60"	16"	138"	150"	10 3/4"	28"	192 3/4"	47"	211 3/4"	74"	238 3/4"	6	1870	2270					

NOTE: "S6" DENOTES IAC'S 60 SERIES – 6.25" DIAMETER BAG FILTER DESIGN.; 4.5" DIAMETER FILTER DESIGNS ARE AVAILABLE.

* C.S. CONSTRUCTION 60° CONE



TANGENTIAL INLET w/INTERIOR CONE



INTERSTITIAL AREA BASED ON A BAG CROSS SECTIONAL AREA OF 0.21 SQ.FT.		
NO. OF BAGS	HOUSING I.D. (IN.)	INTERSTITIAL AREA (SQ. FT.)
7	27 3/4"	2.73
14	39 3/4"	5.68
21	45 3/4"	7.00
32	59 3/4"	12.75

MATERIALS OF CONSTRUCTION

- FILTER RECEIVERS AVAILABLE IN:
- CARBON STEEL
 - STAINLESS STEEL
 - ALUMINUM

STANDARD STRUCTURAL RATINGS

- PRESSURE RATING: 14.9 PSI
- VACUUM RATING: 17" Hg

OTHER FILTER STYLES

- FILTER MEDIA AVAILABLE IN:
- PAPER CARTRIDGES
 - SPUN BOND PLEATED ELEMENTS

This material is the property of INDUSTRIAL ACCESSORIES COMPANY and should not be reproduced, published or disclosed to others without authorization. The material shall not be used in any way against or detrimental to INDUSTRIAL ACCESSORIES COMPANY, Mission, Kansas.



Industrial Accessories Company

4800 LAMAR
MISSION, KS 66202
(913) 384-5511 fax (913) 384-6577

PROJECT		DATE SENT	LAST REV'D
FILTER INFORMATION TABLE DAVIT ARM ASSEMBLY			11/11/02
DESCRIPTION		PART NO.	PROPOSAL NO.
FILTER RECEIVER: TOP REMOVAL, 60 SERIES SIZES: 7 TO 32 BAGS MODEL: DAVIT ARM ASSEMBLY			
DRAWING NO.		CD380-01	