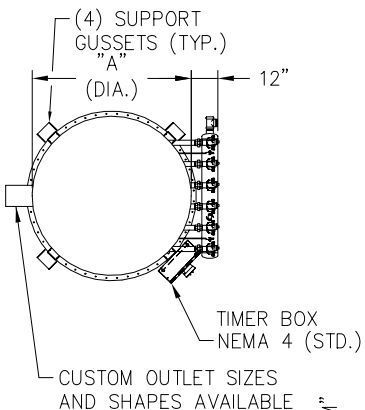


MODEL SHOWN: 72TB-FRWT-32:S6

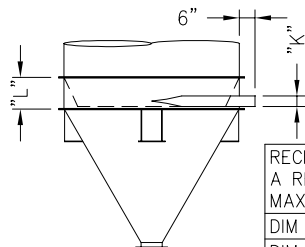
Help note CYLINDRICAL FILTER RECEIVER – WALK IN, TOP LOAD PULSE JET – TUBULAR BAG – STYLE III



MODEL: ?	FILTER LENGTH (IN.)	FILTER AREA (SQ.FT.)	NOMINAL DIMENSIONS (IN.)												NO. OF VALVES	*TYPE II EST'D SHIP WT. (LB.)	*TYPE III EST'D SHIP WT. (LB.)
			A (OD.)						M								
			B (STYLE I)	C	D (STYLE II)	HOPPER ANGLE=45°		HOPPER ANGLE=60°		HOPPER ANGLE=70°							
36TB-FRWT-14:S6	36"	68	40"	84"	42"	134"	8"	18"	152"	30"	164"	46"	180"	4	1054	1344	
54TB-FRWT-14:S6	54"	102	40"	84"	60"	152"	8"	18"	170"	30"	182"	46"	198"	4	1224	1524	
72TB-FRWT-14:S6	72"	136	40"	84"	78"	170"	8"	18"	188"	30"	200"	46"	216"	4	1404	1694	
84TB-FRWT-14:S6	84"	159	40"	84"	90"	182"	8"	18"	200"	30"	212"	46"	228"	4	1524	1814	
96TB-FRWT-14:S6	96"	182	40"	102"	102"	212"	8"	18"	230"	30"	242"	46"	258"	4	1723	2023	
54TB-FRWT-21:S6	54"	153	46"	84"	60"	152 1/2"	8 1/2"	21"	173 1/2"	35"	187 1/2"	54"	206 1/2"	5	1357	1757	
72TB-FRWT-21:S6	72"	205	46"	84"	78"	170 1/2"	8 1/2"	21"	191 1/2"	35"	205 1/2"	54"	224 1/2"	5	1627	2027	
96TB-FRWT-21:S6	96"	273	46"	102"	102"	212 1/2"	8 1/2"	21"	233 1/2"	35"	247 1/2"	54"	266 1/2"	5	1999	2399	
108TB-FRWT-21:S6	108"	307	46"	114"	114"	236 1/2"	8 1/2"	21"	257 1/2"	35"	271 1/2"	54"	290 1/2"	5	2206	2596	
120TB-FRWT-21:S6	120"	341	46"	126"	126"	260 1/2"	8 1/2"	21"	281 1/2"	35"	295 1/2"	54"	314 1/2"	5	2404	2804	
54TB-FRWT-32:S6	54"	234	60"	84"	60"	154 3/4"	10 3/4"	28"	182 3/4"	47"	201 3/4"	74"	228 3/4"	6	1896	2616	
72TB-FRWT-32:S6	72"	312	60"	84"	78"	172 3/4"	10 3/4"	28"	200 3/4"	47"	219 3/4"	74"	246 3/4"	6	2156	2846	
96TB-FRWT-32:S6	96"	416	60"	102"	102"	214 3/4"	10 3/4"	28"	242 3/4"	47"	261 3/4"	74"	288 3/4"	6	2648	3338	
120TB-FRWT-32:S6	120"	519	60"	126"	126"	262 3/4"	10 3/4"	28"	290 3/4"	47"	309 3/4"	74"	336 3/4"	6	3175	3865	
132TB-FRWT-32:S6	132"	571	60"	138"	138"	286 3/4"	10 3/4"	28"	314 3/4"	47"	333 3/4"	74"	360 3/4"	6	3433	4133	
72TB-FRWT-48:S6	72"	467	66"	84"	78"	173 9/16"	11 9/16"	31"	204 9/16"	52"	225 9/16"	82"	255 9/16"	8	2390	3240	
96TB-FRWT-48:S6	96"	623	66"	102"	102"	215 9/16"	11 9/16"	31"	246 9/16"	52"	267 9/16"	82"	297 9/16"	8	2926	3766	
120TB-FRWT-48:S6	120"	779	66"	126"	126"	263 9/16"	11 9/16"	31"	294 9/16"	52"	315 9/16"	82"	345 9/16"	8	3511	4351	
132TB-FRWT-48:S6	132"	857	66"	138"	138"	287 9/16"	11 9/16"	31"	318 9/16"	52"	339 9/16"	82"	369 9/16"	8	3808	4648	
144TB-FRWT-48:S6	144"	935	66"	150"	150"	311 9/16"	11 9/16"	31"	342 9/16"	52"	363 9/16"	82"	393 9/16"	8	4095	4935	

NOTE: "S6" DENOTES IAC'S 60 SERIES - 6.25" DIAMETER BAG FILTER DESIGN; 4.5" DIAMETER FILTER DESIGNS ARE AVAILABLE.

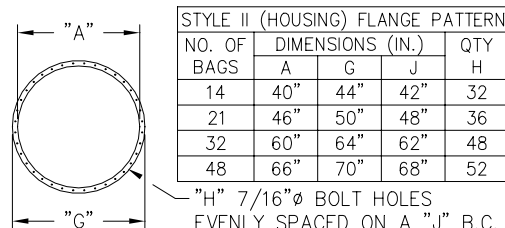
* C.S. CONSTRUCTION 60° CONE



RECIEVER ADD-ON HEIGHT, L, FOR A RECIEVER SECTION WITH A MAXIMUM INLET DIAMETER, K.

DIM K	2"	3"	4"	5"	6"	8"	10"	12"
DIM L	7"	9"	12"	14"	16"	21"	26"	31"

TANGENTIAL INLET w/INTERIOR CONE



STYLE II (HOUSING) FLANGE PATTERN

NO. OF BAGS	DIMENSIONS (IN.)				QTY
	A	G	J	H	
14	40"	44"	42"	32	
21	46"	50"	48"	36	
32	60"	64"	62"	48	
48	66"	70"	68"	52	

STYLE II BIN-VENT FLANGE

INTERSTITIAL AREA BASED ON A BAG CROSS SECTIONAL AREA OF 0.21 SQ.FT.

NO. OF BAGS	HOUSING I.D. (IN.)	INTERSTITIAL AREA (SQ. FT.)
14	39 3/4"	5.68
21	45 3/4"	7.00
32	59 3/4"	12.75
48	65 3/4"	13.50

MATERIALS OF CONSTRUCTION
FILTER RECEIVERS AVAILABLE IN:

- CARBON STEEL
- STAINLESS STEEL
- ALUMINUM

STANDARD STRUCTURAL RATINGS

- PRESSURE RATING: 14.9 PSI
- VACUUM RATING: 17" Hg

OTHER FILTER STYLES

FILTER MEDIA AVAILABLE IN:

- PAPER CARTRIDGES
- SPUN BOND PLEATED ELEMENTS



Industrial Accessories Company

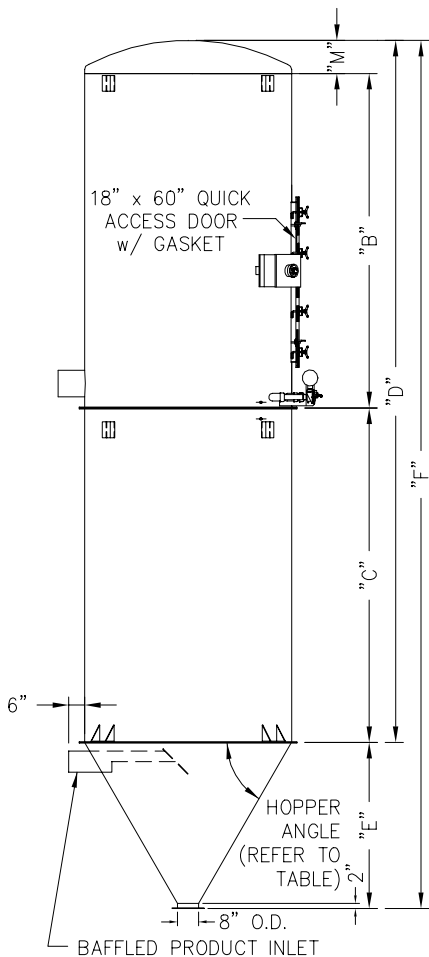
4800 LAMAR
MISSION, KS 66202
(913) 384-5511 fax (913) 384-6577

This material is the property of INDUSTRIAL ACCESSORIES COMPANY and should not be reproduced, published or disclosed to others without authorization. The material shall not be used in any way against or detrimental to INDUSTRIAL ACCESSORIES COMPANY, Mission, Kansas.

PROJECT: FILTER INFORMATION TABLE		DATE SENT:	LAST REV'D: 11/11/02
WALK-IN CLEAN AIR PLENUM		REV'D BY:	
DESCRIPTION: FILTER RECEIVER: TOP REMOVAL, 60 SERIES		PART NO.:	PROPOSAL NO.:
SIZES: 14 TO 48 BAGS		DRAWING NO.:	
MODEL: WALK-IN CLEAN AIR PLENUM		CD378-01	

NOTE: TANGENTIAL INLET WITH PNEUMATIC RECEIVER SECTION AVAILABLE UPON REQUEST. REFER TO TABLE ABOVE. (TANGENTIAL INLET)

MODEL SHOWN: 120TB-FRWT-65:S6



NOTE: TANGENTIAL INLET WITH PNEUMATIC RECEIVER SECTION AVAILABLE UPON REQUEST. REFER TO TABLE ABOVE. (TANGENTIAL INLET)

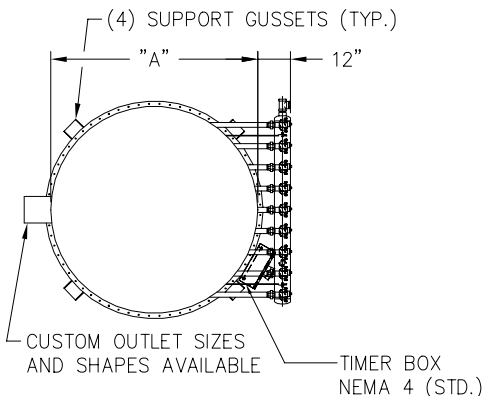
Help note CYLINDRICAL FILTER RECEIVER – WALK IN, TOP LOAD PULSE JET – TUBULAR BAG – STYLE III

MODEL: ?	FILTER LENGTH (IN.)	FILTER AREA (SQ.FT.)	NOMINAL DIMENSIONS (IN.)												NO. OF VALVES	*TYPE II EST'D SHIP WT. (LB.)	*TYPE III EST'D SHIP WT. (LB.)
			A (DIA.)	B (STYLE I)	C	D (STYLE II)	M	HOPPER ANGLE=45°		HOPPER ANGLE=60°		HOPPER ANGLE=70°					
								E	F (STYLE III)	E	F (STYLE III)	E	F (STYLE III)				
96TB-FRWT-58:S6	96"	753	72"	102"	102"	216 3/8"	12 3/8"	34"	250 3/8"	58"	274 3/8"	90"	306 3/8"	8	3316	4316	
108TB-FRWT-58:S6	108"	847	72"	114"	114"	240 3/8"	12 3/8"	34"	274 3/8"	58"	298 3/8"	90"	330 3/8"	8	3632	4652	
120TB-FRWT-58:S6	120"	941	72"	126"	126"	264 3/8"	12 3/8"	34"	298 3/8"	58"	322 3/8"	90"	354 3/8"	8	3948	4978	
144TB-FRWT-58:S6	144"	1130	72"	150"	150"	312 3/8"	12 3/8"	34"	346 3/8"	58"	370 3/8"	90"	402 3/8"	8	4580	5610	
96TB-FRWT-65:S6	96"	844	78"	102"	102"	216 1/2"	12 1/2"	37"	253 1/2"	63"	279 1/2"	98"	314 1/2"	9	3618	4818	
120TB-FRWT-65:S6	120"	1055	78"	126"	126"	264 1/2"	12 1/2"	37"	301 1/2"	63"	327 1/2"	98"	362 1/2"	9	4298	5508	
132TB-FRWT-65:S6	132"	1161	78"	138"	138"	288 1/2"	12 1/2"	37"	325 1/2"	63"	351 1/2"	98"	386 1/2"	9	4642	5852	
144TB-FRWT-65:S6	144"	1266	78"	150"	150"	312 1/2"	12 1/2"	37"	349 1/2"	63"	375 1/2"	98"	410 1/2"	9	4987	6197	
96TB-FRWT-80:S6	96"	1039	84"	102"	102"	218"	14"	40"	258"	68"	286"	107"	325"	10	4026	5436	
120TB-FRWT-80:S6	120"	1299	84"	126"	126"	266"	14"	40"	306"	68"	334"	107"	373"	10	4773	6173	
132TB-FRWT-80:S6	132"	1428	84"	138"	138"	290"	14"	40"	330"	68"	358"	107"	397"	10	5147	6547	
144TB-FRWT-80:S6	144"	1558	84"	150"	150"	314"	14"	40"	354"	68"	382"	107"	421"	10	5510	6910	
120TB-FRWT-102:S6	120"	1656	96"	126"	126"	267 5/8"	15 5/8"	46"	313 5/8"	78"	345 5/8"	123"	390 5/8"	11	5502	7347	
132TB-FRWT-102:S6	132"	1821	96"	138"	138"	291 5/8"	15 5/8"	46"	337 5/8"	78"	369 5/8"	123"	414 5/8"	11	5923	7763	
144TB-FRWT-102:S6	144"	1987	96"	150"	150"	315 5/8"	15 5/8"	46"	361 5/8"	78"	393 5/8"	123"	438 5/8"	11	6355	8185	

NOTE: "S6" DENOTES IAC'S 60 SERIES – 6.25" DIAMETER BAG FILTER DESIGN.; 4.5" DIAMETER FILTER DESIGNS ARE AVAILABLE.

* C.S. CONSTRUCTION 60" CONE

MODEL SHOWN: 120TB-FRWP-65:S6



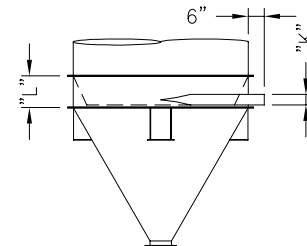
NO. OF BAGS	DIMENSIONS (IN.)				QTY
	A	G	J	H	
58	72"	76"	74"	60	
65	78"	82"	80"	64	
80	84"	88"	86"	68	
102	96"	100"	98"	76	

"H" 7/16" Ø BOLT HOLES EVENLY SPACED ON A "J" B.C.

STYLE II BIN-VENT FLANGE

INTERSTITIAL AREA BASED ON A BAG CROSS SECTIONAL AREA OF 0.21 SQ.FT.

NO. OF BAGS	HOUSING I.D. (IN.)	INTERSTITIAL AREA (SQ. FT.)
58	71 3/4"	15.90
65	77 3/4"	19.32
80	83 3/4"	21.46
102	95 3/4"	28.58



RECIEVER ADD-ON HEIGHT, L, FOR A RECIEVER SECTION WITH A MAXIMUM INLET DIAMETER, K.

DIM K	2"	3"	4"	5"	6"	8"	10"	12"
DIM L	7"	9"	12"	14"	16"	21"	26"	31"

TANGENTIAL INLET w/INTERIOR CONE

This material is the property of INDUSTRIAL ACCESSORIES COMPANY and should not be reproduced, published or disclosed to others without authorization. The material shall not be used in any way against or detrimental to INDUSTRIAL ACCESSORIES COMPANY, Mission, Kansas.



Industrial Accessories Company

4800 LAMAR
MISSION, KS 66202
(913) 384-5511 fax (913) 384-6577

PROJECT	DATE SENT	LAST REV'D
FILTER INFORMATION TABLE		11/11/02
WALK-IN CLEAN AIR PLENUM		REV'D BY
	PART NO.	PROPOSAL NO.
DESCRIPTION		DRAWING NO.
FILTER RECEIVER: TOP REMOVAL, 60 SERIES		CD378-02
SIZES: 58 TO 102 BAGS		
MODEL: WALK-IN CLEAN AIR PLENUM		

MODEL SHOWN: 120TB-FRWT-133:S6

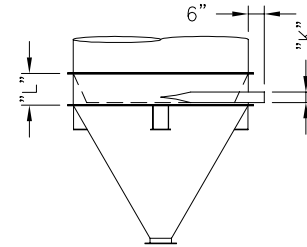
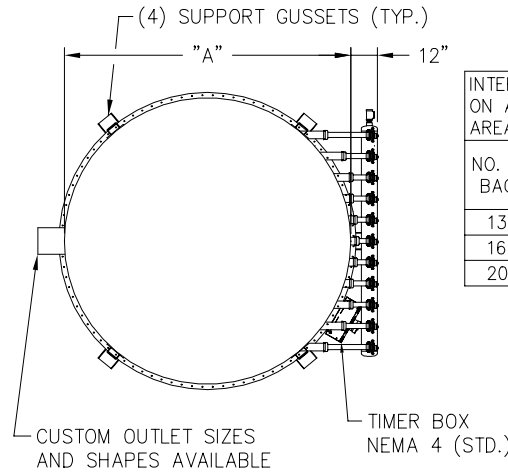
Help note CYLINDRICAL FILTER RECEIVER – WALK IN, TOP LOAD PULSE JET – TUBULAR BAG – STYLE III

MODEL: ?	FILTER LENGTH (IN.)	FILTER AREA (SQ.FT.)	NOMINAL DIMENSIONS (IN.)												NO. OF VALVES	*TYPE II EST'D SHIP WT. (LB.)	*TYPE III EST'D SHIP WT. (LB.)
			A (DIA.)	B (STYLE I)	C	D (STYLE II)	M	HOPPER ANGLE=45°		HOPPER ANGLE=60°		HOPPER ANGLE=70°					
			E	F (STYLE III)	E	F (STYLE III)	E	F (STYLE III)	E	F (STYLE III)							
120TB-FRWT-133:S6	120"	2159	108"	126"	126"	269 1/4"	17 1/4"	52"	321 1/4"	89"	358 1/4"	140"	409 1/4"	13	6398	8758	
144TB-FRWT-133:S6	144"	2591	108"	150"	150"	317 1/4"	17 1/4"	52"	369 1/4"	89"	406 1/4"	140"	457 1/4"	13	7356	9716	
168TB-FRWT-133:S6	168"	3022	108"	174"	174"	365 1/4"	17 1/4"	52"	417 1/4"	89"	454 1/4"	140"	505 1/4"	13	8304	10664	
120TB-FRWT-164:S6	120"	2662	120"	126"	126"	270 3/4"	18 3/4"	58"	328 3/4"	99"	369 3/4"	156"	426 3/4"	14	7401	10321	
144TB-FRWT-164:S6	144"	3194	120"	150"	150"	318 3/4"	18 3/4"	58"	376 3/4"	99"	417 3/4"	156"	474 3/4"	14	8465	11375	
168TB-FRWT-164:S6	168"	3727	120"	174"	174"	366 3/4"	18 3/4"	58"	424 3/4"	99"	465 3/4"	156"	522 3/4"	14	9518	12438	
120TB-FRWT-200:S6	120"	3246	144"	126"	126"	273 1/2"	21 1/2"	70"	343 1/2"	120"	393 1/2"	189"	462 1/2"	16	9225	12110	
144TB-FRWT-200:S6	144"	3896	144"	150"	150"	321 1/2"	21 1/2"	70"	391 1/2"	120"	441 1/2"	189"	510 1/2"	16	10240	13200	
168TB-FRWT-200:S6	168"	4545	144"	174"	174"	369 1/2"	21 1/2"	70"	439 1/2"	120"	489 1/2"	189"	558 1/2"	16	12190	15085	

NOTE: "S6" DENOTES IAC'S 60 SERIES – 6.25" DIAMETER BAG FILTER DESIGN.; 4.5" DIAMETER FILTER DESIGNS ARE AVAILABLE.

* C.S. CONSTRUCTION 60" CONE

MODEL SHOWN: 120TB-FRWP-133:S6



MATERIALS OF CONSTRUCTION
FILTER RECEIVERS AVAILABLE IN:

- CARBON STEEL
- STAINLESS STEEL
- ALUMINUM

STANDARD STRUCTURAL RATINGS

- PRESSURE RATING: 14.9 PSI
- VACUUM RATING: 17" Hg

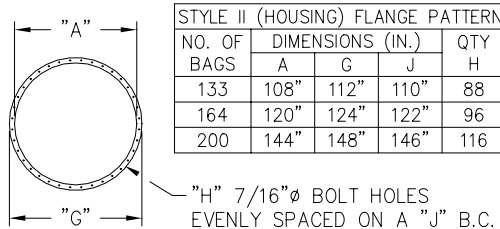
OTHER FILTER STYLES

FILTER MEDIA AVAILABLE IN:

- PAPER CARTRIDGES
- SPUN BOND PLEATED ELEMENTS

RECIEVER ADD-ON HEIGHT, L, FOR A RECIEVER SECTION WITH A MAXIMUM INLET DIAMETER, K.	
DIM K	2" 3" 4" 5" 6" 8" 10" 12"
DIM L	7" 9" 12" 14" 16" 21" 26" 31"

TANGENTIAL INLET w/INTERIOR CONE



NO. OF BAGS	STYLE II (HOUSING) FLANGE PATTERN DIMENSIONS (IN.)				QTY
	A	G	J	H	
133	108"	112"	110"	88	
164	120"	124"	122"	96	
200	144"	148"	146"	116	

STYLE II BIN-VENT FLANGE

This material is the property of INDUSTRIAL ACCESSORIES COMPANY and should not be reproduced, published or disclosed to others without authorization. The material shall not be used in any way against or detrimental to INDUSTRIAL ACCESSORIES COMPANY, Mission, Kansas.

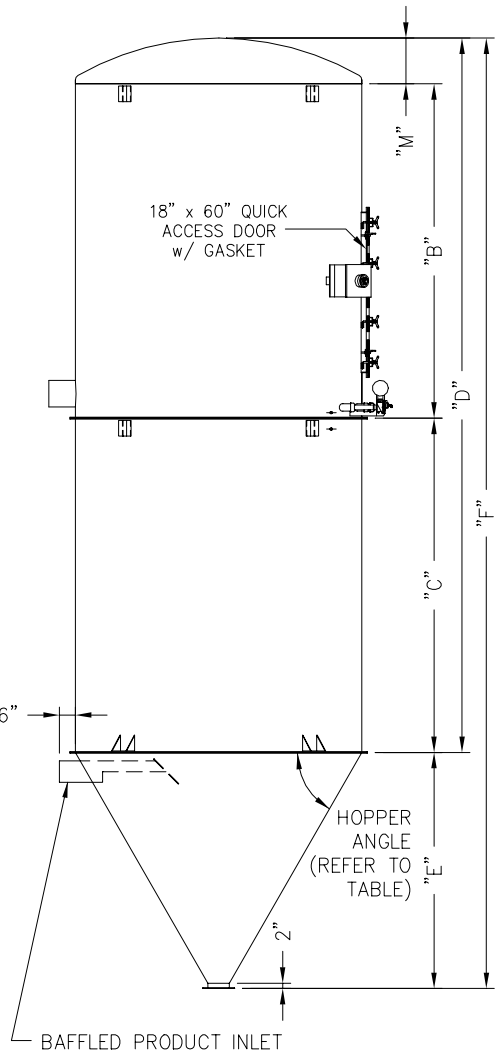


Industrial Accessories Company

4800 LAMAR
MISSION, KS 66202
(913) 384-5511 fax (913) 384-6577

PROJECT	DATE SENT	LAST REV'D
FILTER INFORMATION TABLE WALK-IN CLEAN AIR PLENUM		11/11/02
DESCRIPTION FILTER RECEIVER: TOP REMOVAL,60 SERIES SIZES: 133 TO 200 BAGS MODEL: WALK-IN CLEAN AIR PLENUM	PART NO.	PROPOSAL NO.
	DRAWING NO.	

CD378-03



INLET. NOTE: TANGENTIAL INLET WITH PNEUMATIC RECEIVER SECTION AVAILABLE UPON REQUEST. REFER TO TABLE ABOVE. (TANGENTIAL INLET)