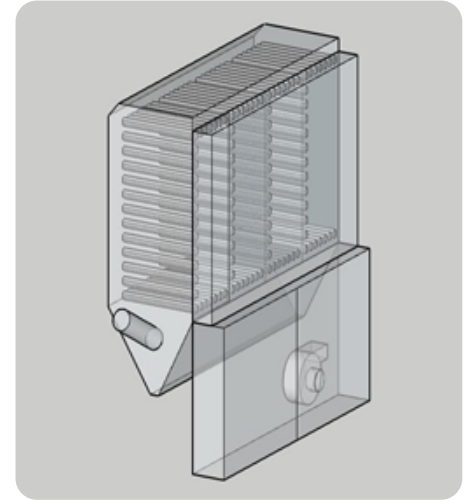


Benefits to Convert Sovema Horizontal Dust Collector to IAC-Pulse Jet

SOVEMA HORIZONTAL DUST COLLECTOR:

- Horizontal filters, which results in excessive dust build up and potential fires.
- Bags and cages attached / sealed to tubesheet with threaded studs and nuts.
- Side access doors that are difficult to seal.
- Frequent and expensive shutdowns.

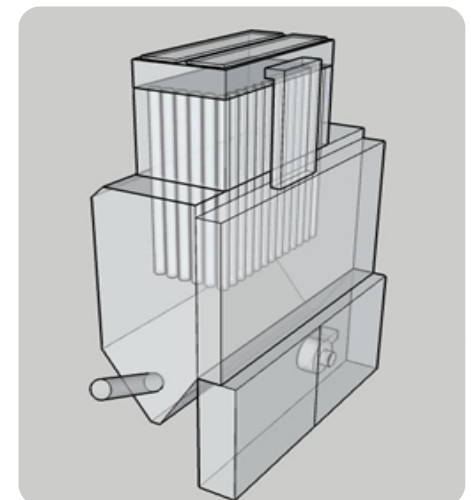


Comparison chart

	Sovema Dust Collector	IAC Pulse - Jet Conversion
Number of bags and cages	192	78 ✓
Average bag Life	8 months	24 months ✓
Cost replace set bags	\$10,500	\$4,836 ✓
Number of Pulse Valves	12	6 ✓
Parts available in inventory in USA	NO	YES ✓

IAC PULSE -JET CONVERSION:

- Vertical filters, which results in less dust build up.
- Provides superior seal at tubesheet.
- Simple and safe maintenance.
- Low compressed air consumption.
- Reliable operation.
- Eliminate Material Buildup.
- Existing HEPA filter arrangement is unchanged.
- Easy and fast to convert.



A piece of mind conversion that allows the plant to focus on the process of manufacturing batteries.

